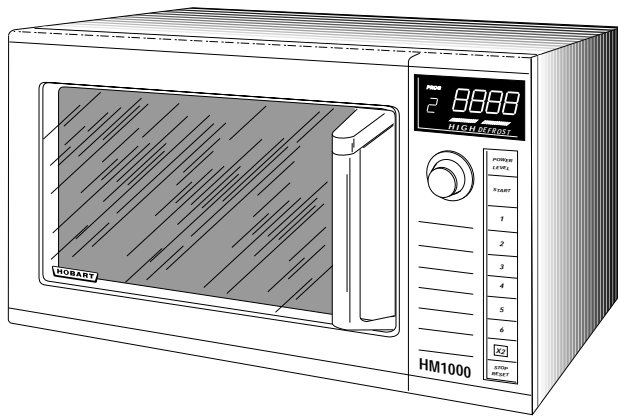


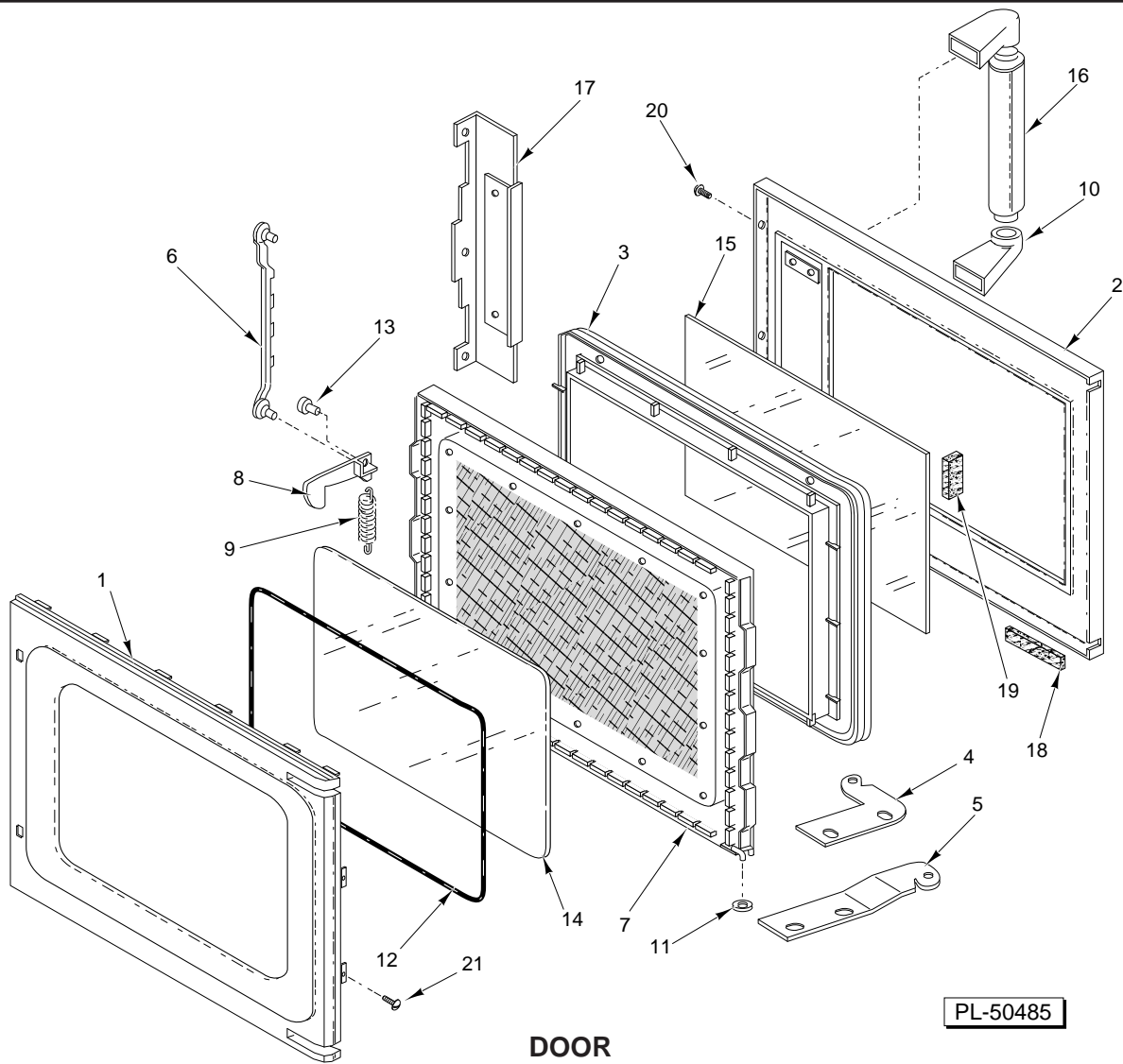


# CATALOG OF REPLACEMENT PARTS

## MICROWAVE OVENS



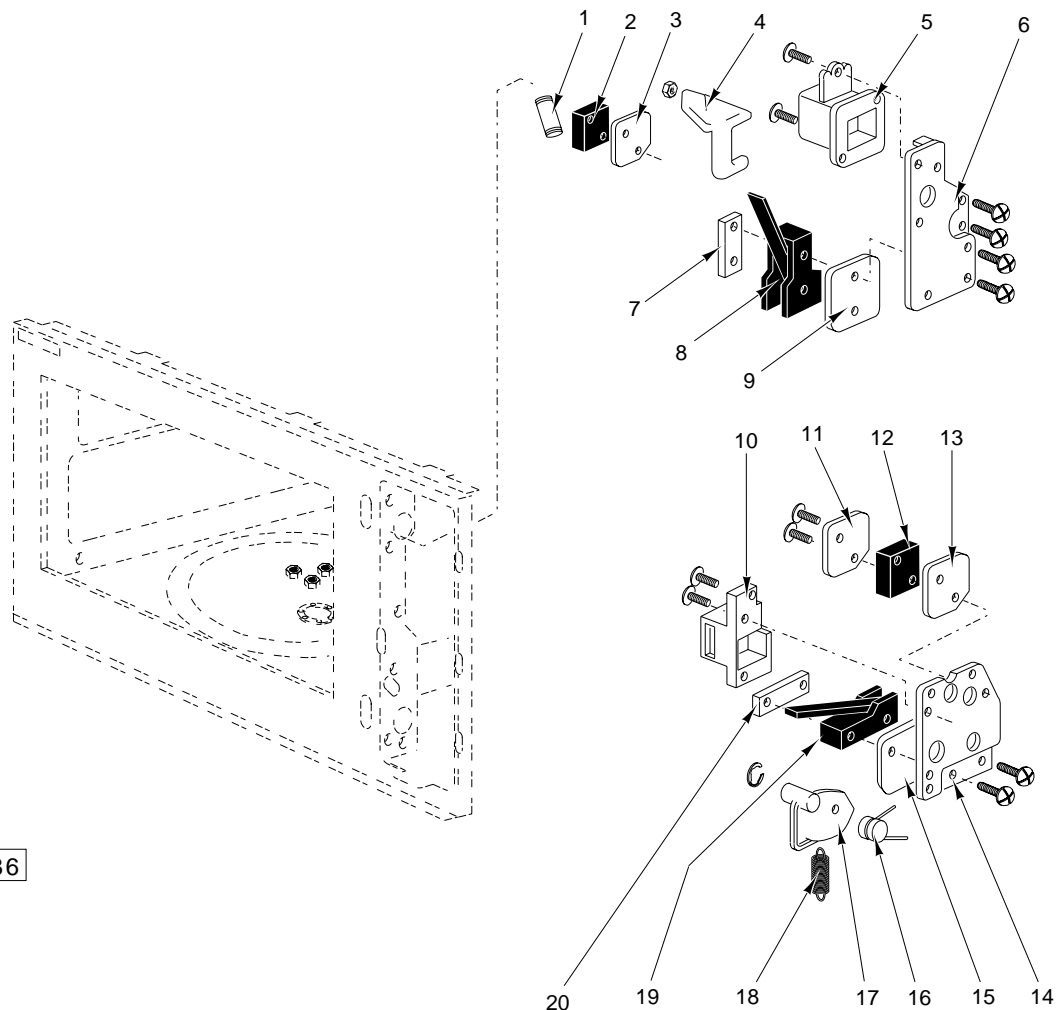
**HM1000 ML-103666**



DOOR

PL-50485

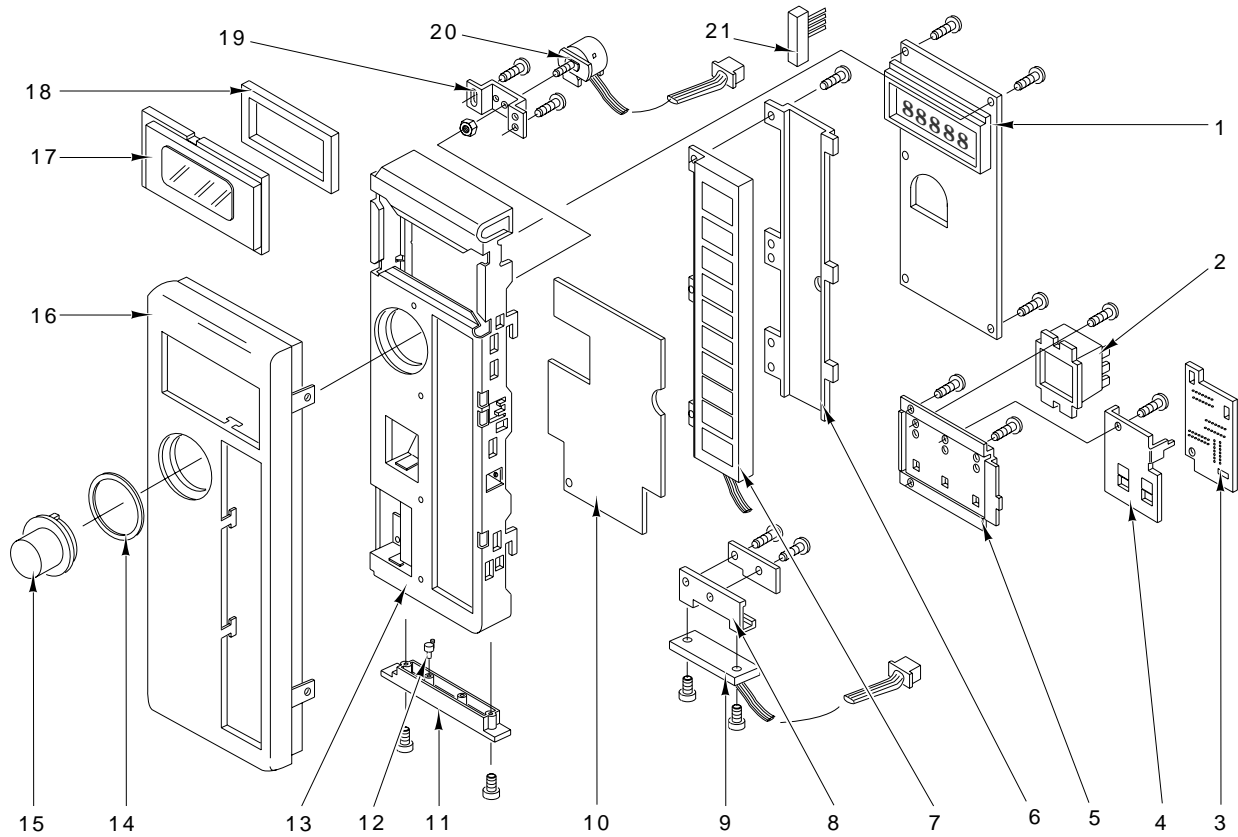
ILLUS. PL-50485	PART NO.	NAME OF PART	AMT.
1	360539	Door C Assy. (Inner) .....	1
2	360540	Door A Assy. (Outer) .....	1
3	360541	Window Frame .....	1
4	360542	Hinge - Upper .....	1
5	360543	Hinge - Lower .....	1
6	360544	Door Key Lever B .....	1
7	360545	Door E .....	1
8	360546	Door Key A .....	2
9	360547	Spring - Door Key .....	2
10	360548	Handle - Piece A Assy. ....	2
11	360549	Spacer - Door Hinge .....	1
12	360550	Door Rubber - Screen A .....	1
13	360551	Pin - Key Lever .....	2
14	360553	Door - Screen A Assy. ....	1
15	360554	Door - Screen B Assy. ....	1
16	360555	Handle - Piece C Assy. ....	1
17	360556	Bracket - Door A .....	1
18	360557	Cushion - Rubber D .....	1
19	360558	Bushing - Rubber .....	1
20	360844	Screw - 4 x 12mm .....	3
21	360845	Screw - 4 x 8mm .....	2
	360580	Door - Complete (INCL. ITEMS 1 THRU 21)) .....	1



PL-50486

**DOOR SWITCH**

ILLUS. PL-50486	PART NO.	NAME OF PART	AMT.
	1	Nut .....	1
	2	Switch - Door Signal .....	1
	3	Insulation .....	1
	4	Lever - Latch Switch .....	1
	5	Hook - Door .....	1
	6	Bracket - Latch Switch .....	1
	7	Nut .....	1
	8	Switch - Latch .....	1
	9	Insulation .....	1
	10	Hook - Door .....	1
	11	Insulation .....	1
	12	Switch - Short .....	1
	13	Insulation .....	1
	14	Bracket - Latch Switch .....	1
	15	Insulation .....	1
	16	Spring .....	1
	17	Lever - Latch Switch .....	1
	18	Spring .....	1
	19	Switch - Latch .....	1
	20	Nut .....	1

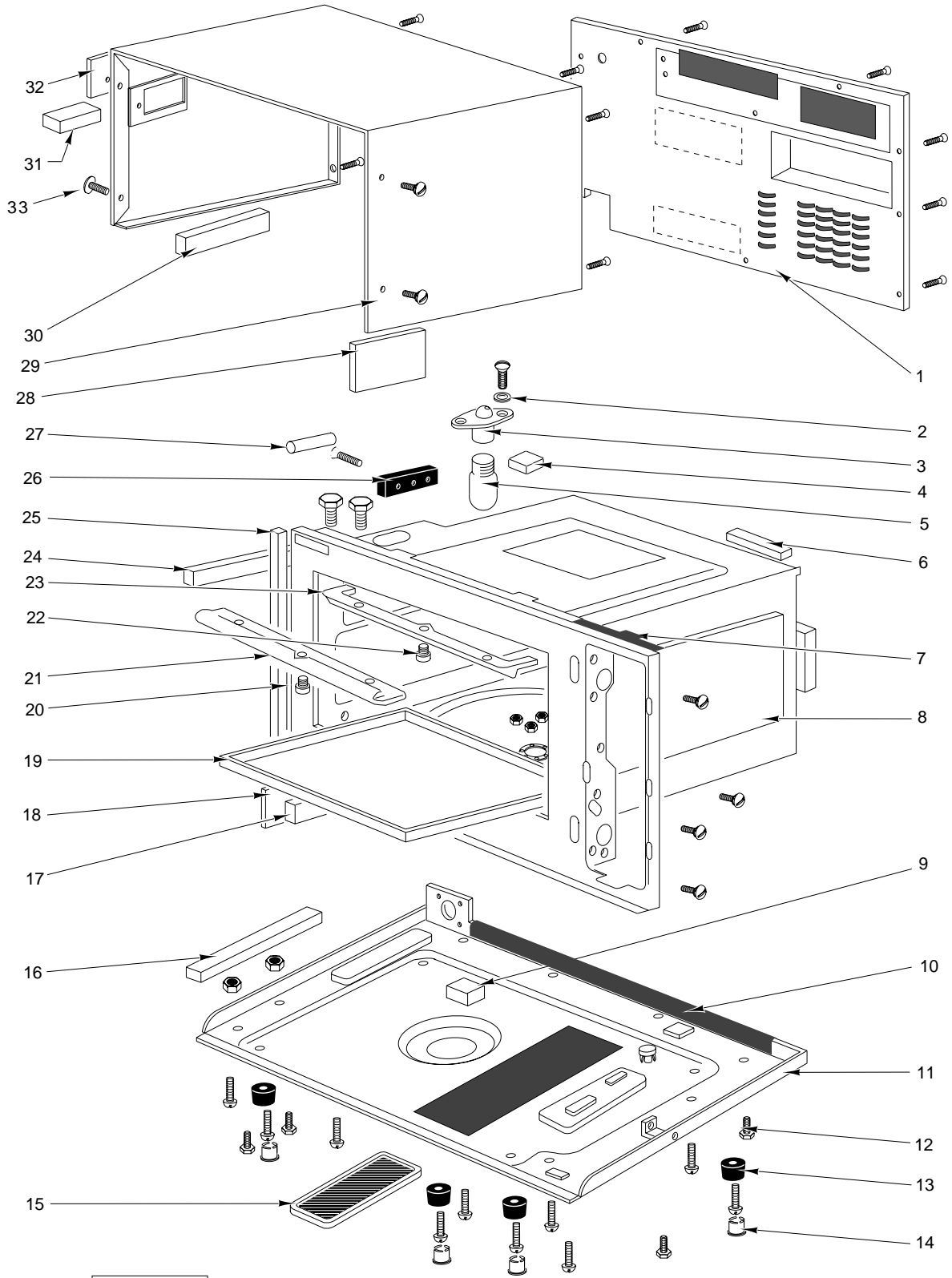


PL-50261

**CONTROL PANEL**

## CONTROL PANEL

ILLUS. PL-50261	PART NO.	NAME OF PART	AMT.
1	360570	D.P. Circuit Assy (Main) .....	1
2	360562	Relay - Lamp .....	1
3	360560	D.P. Circuit Assy (Sub) .....	1
4	360579	Bracket - Parts .....	1
5	360572	Bracket - Lamp Relay .....	1
6	360578	Bracket .....	1
7	360573	Switch - Membrane .....	1
8	360574	Bracket - Switch .....	1
9	360571	D.P. Circuit Assy (Program Entry/Cancel Switch) .....	1
10	360569	Sheet - Insulation .....	1
11	360565	Panel (Lower Escutcheon) .....	1
12	360566	Button - Clock Set .....	1
13	360567	Panel - Inside .....	1
14	360577	Spacer .....	1
15	360568	Knob - Timer .....	1
16	360564	Panel - Outside .....	1
17	360563	Panel - Smoke .....	1
18	360576	Cushion - Rubber .....	1
19	360561	Bracket - Timer .....	1
20	360575	Timer .....	1
21	360593	Lead Wire .....	1

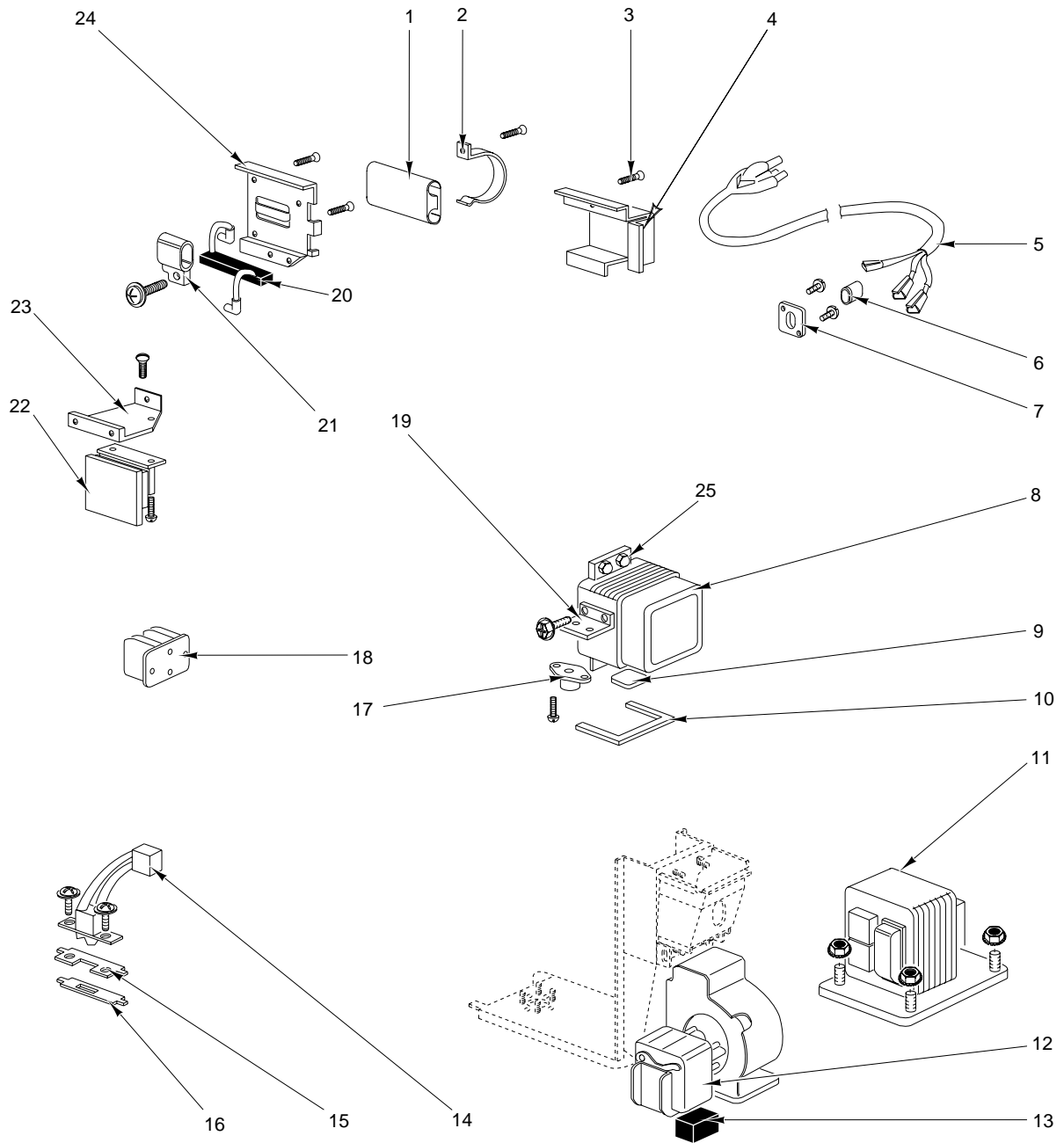


PL-50487

OVEN

## OVEN

ILLUS. PL-50487	PART NO.	NAME OF PART	AMT.
1	360459	Panel - Back .....	1
2	360527	Spacer .....	1
3	360503	Socket - Oven Lamp .....	1
4	360609	Cushion .....	1
5	360485	Lamp - Oven (20W, 125V) .....	1
6	360603	Cushion .....	1
7	360606	Cushion .....	1
8	360463	Oven Assy .....	1
9	360534	Cushion .....	1
10	360531	Cushion .....	1
11	360458	Base Assy .....	1
12	360525	Bolt (5/16-18 x 1/2, Hex Hd.) .....	AR
13	360460	Foot - Rubber .....	4
14	360520	Foot - Rubber (Insert) .....	4
15	360475	Frame - Air Filter .....	1
16	360529	Cushion - Air Guide .....	1
17	360481	Cushion - Air Guide .....	1
18	360488	Sheet - Oven Lamp .....	1
19	360456	Shelf .....	1
20	360528	Clip .....	1
21	360465	Plate - Ceiling .....	1
22	360528	Clip .....	1
23	360465	Plate - Ceiling .....	1
24	360532	Cushion .....	2
25	360531	Cushion .....	1
26	360510	Holder - Fuse .....	1
27	360509	Fuse (25A) .....	1
28	360487	Sheet - Oven Lamp .....	1
29	360461	Panel - Outer .....	1
30	360535	Cushion .....	1
31	360532	Cushion .....	1
32	360497	Lamp Cover Assy .....	1
33	360838	Screw - 4x 10mm .....	4



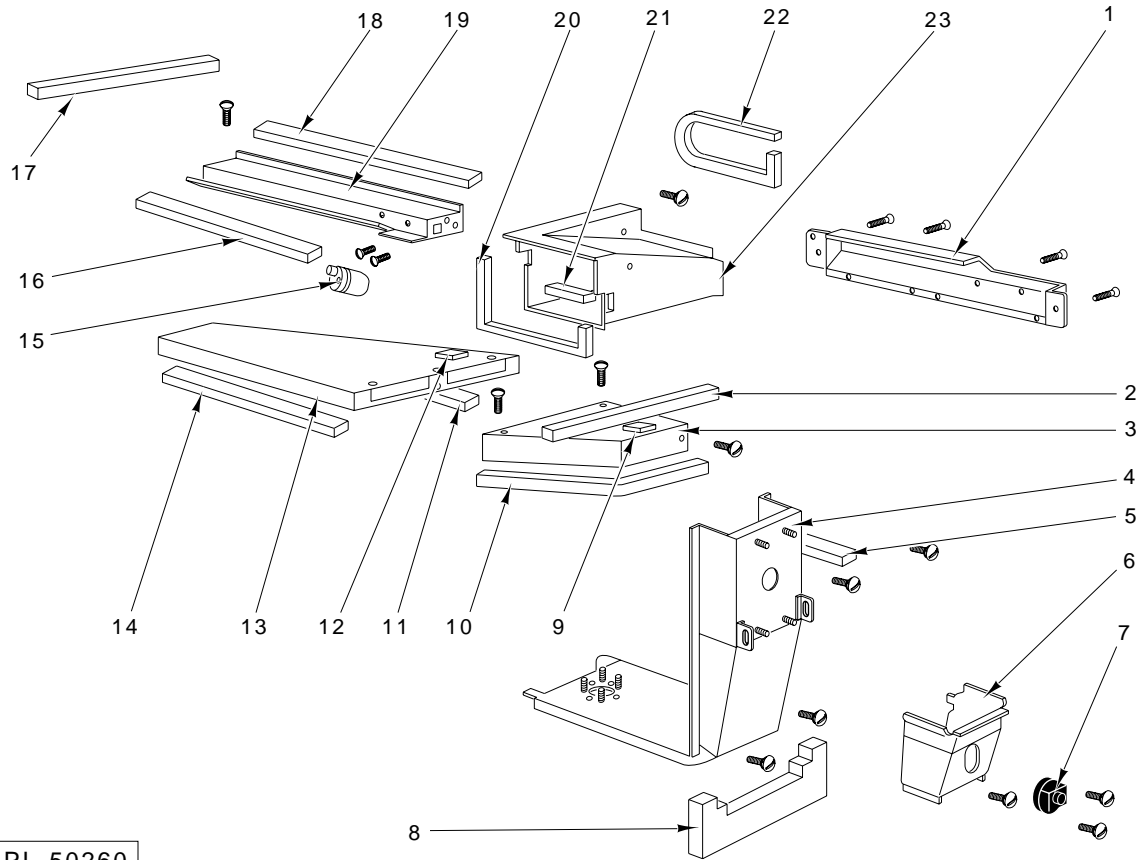
PL-50488

**ELECTRICAL**



## ELECTRICAL

ILLUS. PL-50488	PART NO.	NAME OF PART	AMT.
1	360489	Capacitor - High Voltage (2300 VAC) .....	1
2	360486	Bracket - Capacitor .....	1
3	360511	Clip .....	1
4	360526	Insulation - Capacitor .....	1
5	360513	Cord - Power Supply .....	1
6	360514	Bushing - Cord .....	1
7	360515	Stopper - Cord .....	1
8	360462	Magnetron .....	1
9	360534	Cushion .....	1
10	360601	Cushion .....	1
11	360484	Transformer - High Voltage .....	1
12	360474	Fan & Motor Assy (120V, 60 Hz, 1 PH) .....	1
13	360537	Cushion .....	1
14	360518	Switch - Main .....	1
15	360522	Bracket - Main Switch .....	1
16	360512	Cover - Switch .....	1
17	360502	Cutout - Thermal (300 Deg. Fahrenheit) .....	1
18	360538	Heat Sink .....	1
19	360457	Bracket .....	1
20	360508	Diode .....	1
21	360507	Holder - Diode .....	1
22	360519	Low Voltage Transformer Assy .....	1
23	360470	Bracket - Reinforce .....	1
24	360499	Bracket - Capacitor Mount .....	1
25	360843	Nut - 5mm .....	4

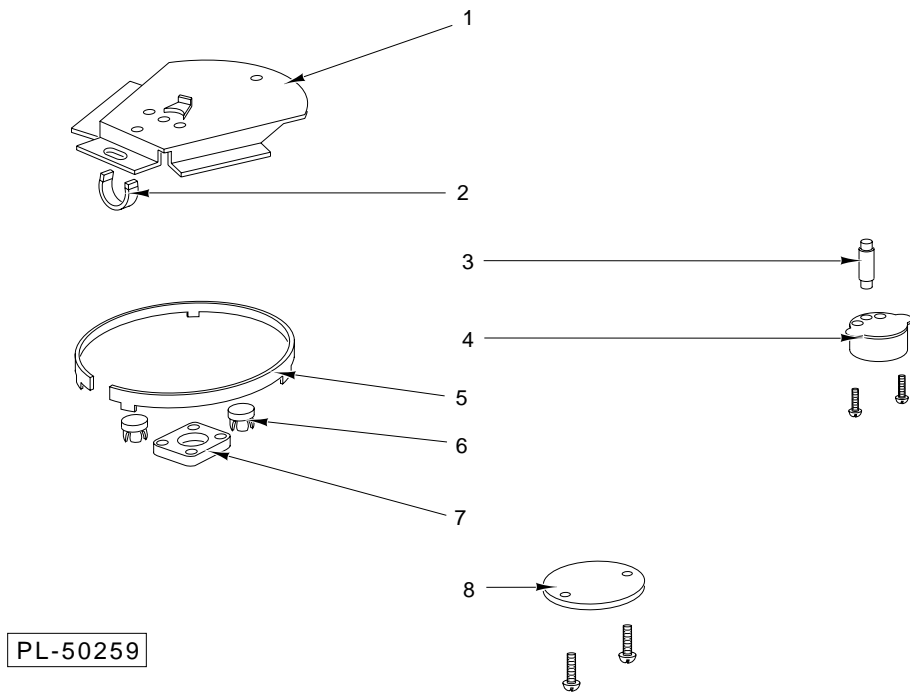


PL-50260

**AIR DUCTS**

## AIR DUCTS

ILLUS. PL-50260	PART NO.	NAME OF PART	AMT.
1	360483	Guide - Exhaust .....	1
2	360533	Cushion .....	1
3	360478	Guide - Air .....	1
4	360464	Waveguide .....	1
5	360604	Cushion .....	1
6	360477	Guide - Air .....	1
7	360517	Triac .....	1
8	360480	Cushion - Air Guide .....	1
9	360530	Cushion .....	1
10	360605	Cushion .....	1
11	360602	Cushion .....	1
12	360536	Cushion .....	1
13	360482	Guide - Exhaust .....	1
14	360532	Cushion .....	1
15	360502	Cutout - Thermal (300 Deg. Fahrenheit) .....	1
16	360532	Cushion .....	1
17	360529	Cushion - Air Guide .....	1
18	360532	Cushion .....	1
19	360476	Guide - Exhaust .....	1
20	360601	Cushion .....	1
21	360608	Cushion .....	1
22	360603	Cushion .....	1
23	360479	Guide - Air .....	1



### STIRRER

ILLUS. PL-50259	PART NO.	NAME OF PART	AMT.
1	360467	Antenna .....	1
2	360466	Stopper - Stirrer .....	1
3	360468	Shaft - Antenna .....	1
4	360501	Motor - Stirrer (2.5W) .....	1
5	360469	Rail - Stirrer .....	1
6	360516	Clip .....	2
7	360471	Ring - Antenna .....	1
8	360498	Cover - Stirrer Motor .....	1