



CATALOG OF REPLACEMENT PARTS

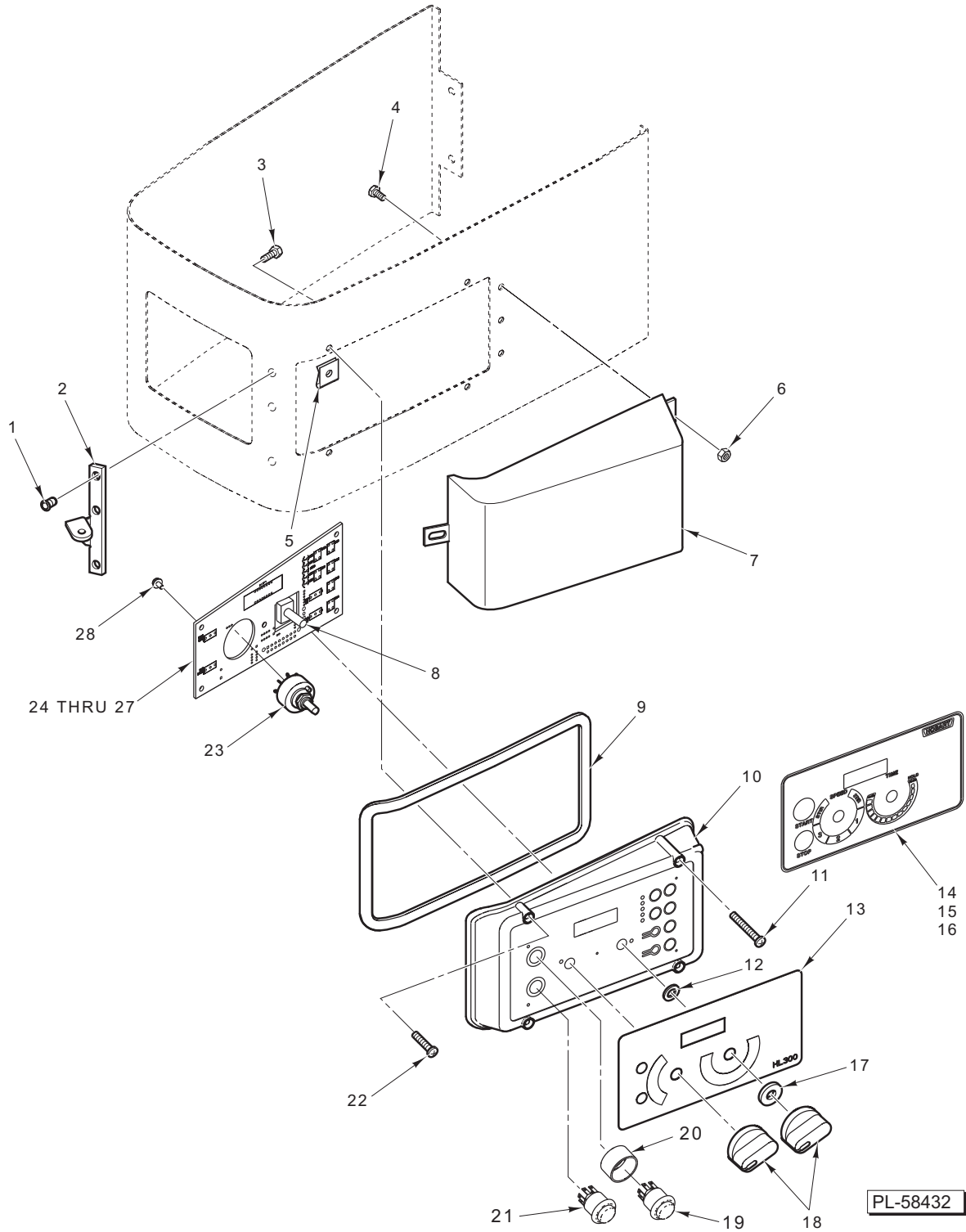


HL300 LEGACY MIXER

HL300	ML-134351
HL300	ML-134461
HL300C	ML-134358

Table Of Contents

5	CONTROL PANEL
7	ELECTRICAL COMPONENTS
9	BASE AND PEDESTAL
10	ATTACHMENT HUB
11	TRANSMISSION CASE AND MOTOR
13	TRANSMISSION
15	PLANETARY
17	BOWL AND BOWL GUARD
19	BOWL SUPPORT
20	AGITATORS AND ACCESSORIES



CONTROL PANEL

CONTROL PANEL

ILLUS.	PART NO.	NAME OF PART	AMT.
	PL-58432		
1	00-042648	Insert – Threaded 10-24 (ML-134358).....	3
2	00-916759	Latch (ML-134358)	1
3	SC-128-69	Mach. Screw 10-24 x 3/8 Tx. Button Hd. (ML-134358)	3
4	SC-128-69	Mach. Screw 10-24 x 3/8 Tx. Button Hd. (ML-134358)	3
5	00-874338	Fastener – Self Retaining	4
6	NS-038-13	Lock Nut 10-24 (ML-134358).....	3
7	00-916760	Cover – Security (ML-134358).....	1
8	00-916594	Potentiometer Assy. (Units Built With Serial Numbers On Or After 31-1422837)	1
9	00-916613	Seal – Control Panel	1
*10	00-917302	Panel – Control	1
11	SC-128-40	Mach. Screw 8-32 x 2 1/4 Phil. Oval Hd. (SST)	2
12	00-917313	Spacer (Units Built With Serial Numbers From 31-1398262 To 31-1422837)	1
13	00-916766	Overlay – Recipe (4-Position Speed Selector) (Units Built With Serial Numbers Before 31-1422837) (ML-134351).....	1
**14	00-937066	Overlay – Standard (6-Position Speed Selector) (Units Built With Serial Numbers On Or After 31-1422837) (ML-134351 & ML-134358).....	1
15	00-937069	Overlay – Recipe (6-Position Speed Selector) (Units Built With Serial Numbers On Or After 31-1422837) (ML-134351)	1
***16	00-937179	Overlay – Variable Speed (ML-134461).....	1
17	WS-031-55	Washer.....	1
18	00-874809	Knob	2
19	00-916593	Switch – Sealed Dome	1
20	00-916958-00002	Guard – Switch	1
21	00-916592	Switch – Sealed Dome	1
22	SC-128-39	Mach. Screw 8-32 x 1 1/2 Phil. Oval Hd. (SST).....	2
****23	00-937061	Switch – Speed Selector Assembly (6-Position Speed Selector) (Units Built With Serial Numbers On Or After 31-1422837).....	1
#24	00-917212	PCB Assy. (Standard Timer With Off Board Potentiometer And 4-Position Speed Selector) (ML-134351 & ML-134358) (Units Built With Serial Numbers From 31-1398262 To 31-1422837).....	1
##25	00-917213	PCB Assy. (Recipe Timer With Off Board Potentiometer And 4-Position Speed Selector) (Units Built With Serial Numbers From 31-1398262 To 31-1422837) (ML-134351)	1
26	00-937135	PCB Assy. (Standard) (6-Position Speed Selector) (Units Built With Serial Numbers On Or After 31-1422837).....	1
27	00-937136	PCB Assy. (Recipe Timer) (6-Position Speed Selector) (Units Built With Serial Numbers On Or After 31-1422837) (ML-134351)	1
28	SD-039-23	Self-Tapping Screw 6-32 x 1/4 Hex Hd. Type RL	5
	00-916566-00001	Harness – Switch.....	1

* Order panel control upgrade 00-913103-00003 when replacing panel with standard timer, and 4-position speed selector switch. Order panel control upgrade 00-913103-00007 when replacing panel with variable speed selector, and on board on/off switches.

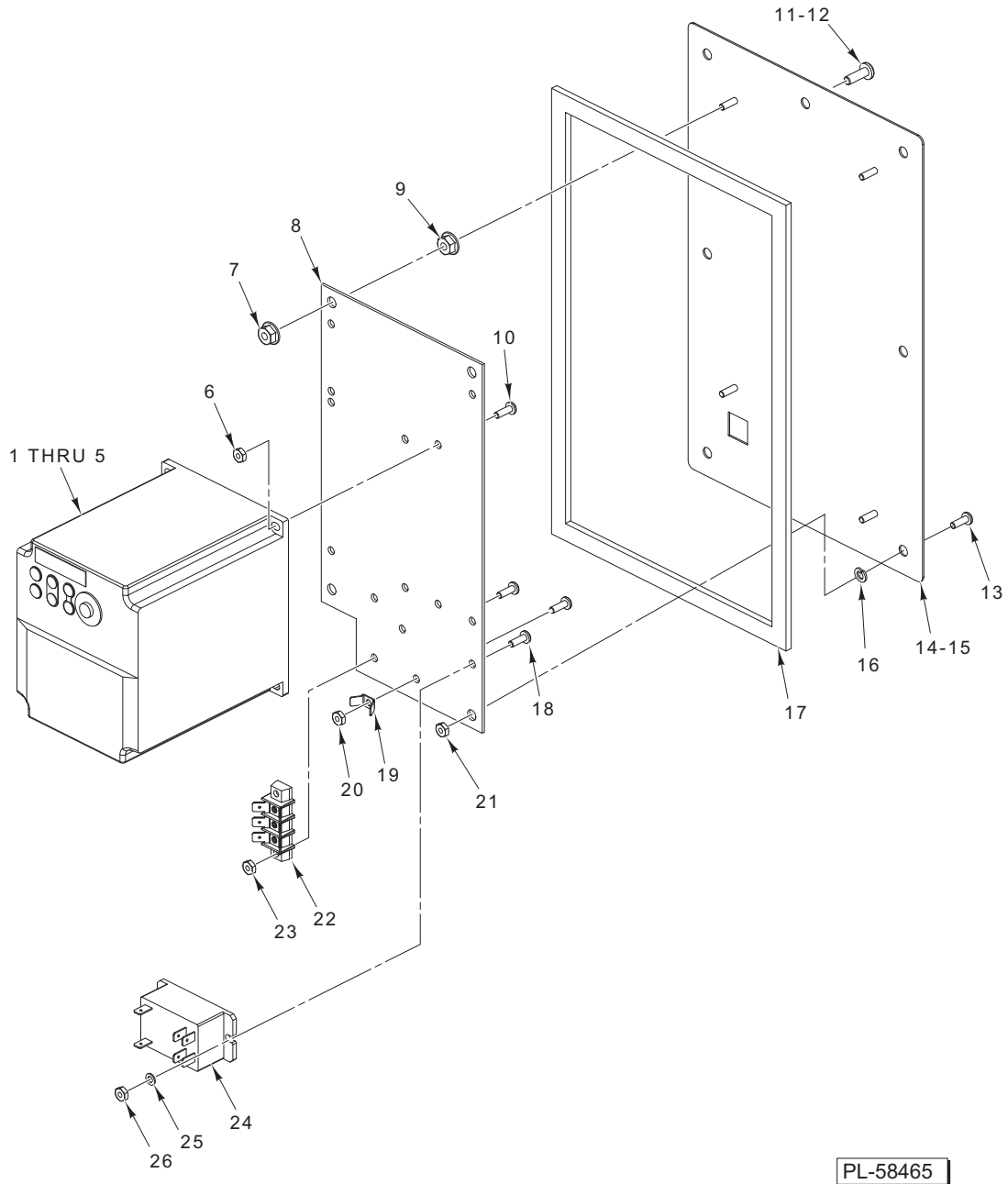
** Order panel control upgrade 00-913103-00003 when replacing standard timer overlay with 4-position speed selector switch.

*** Order panel control upgrade 00-913103-00007 when replacing overlay with variable speed selector, and on board on/off switches.

**** Order panel control upgrade 00-913103-00003 when replacing 4-position speed selector switch with standard timer.

Order 00-917212 PCB Assembly, 00-917313 Spacer, 00-916594 Potentiometer Assembly, and 00-874809 Knob when replacing standard timer with on board potentiometer.

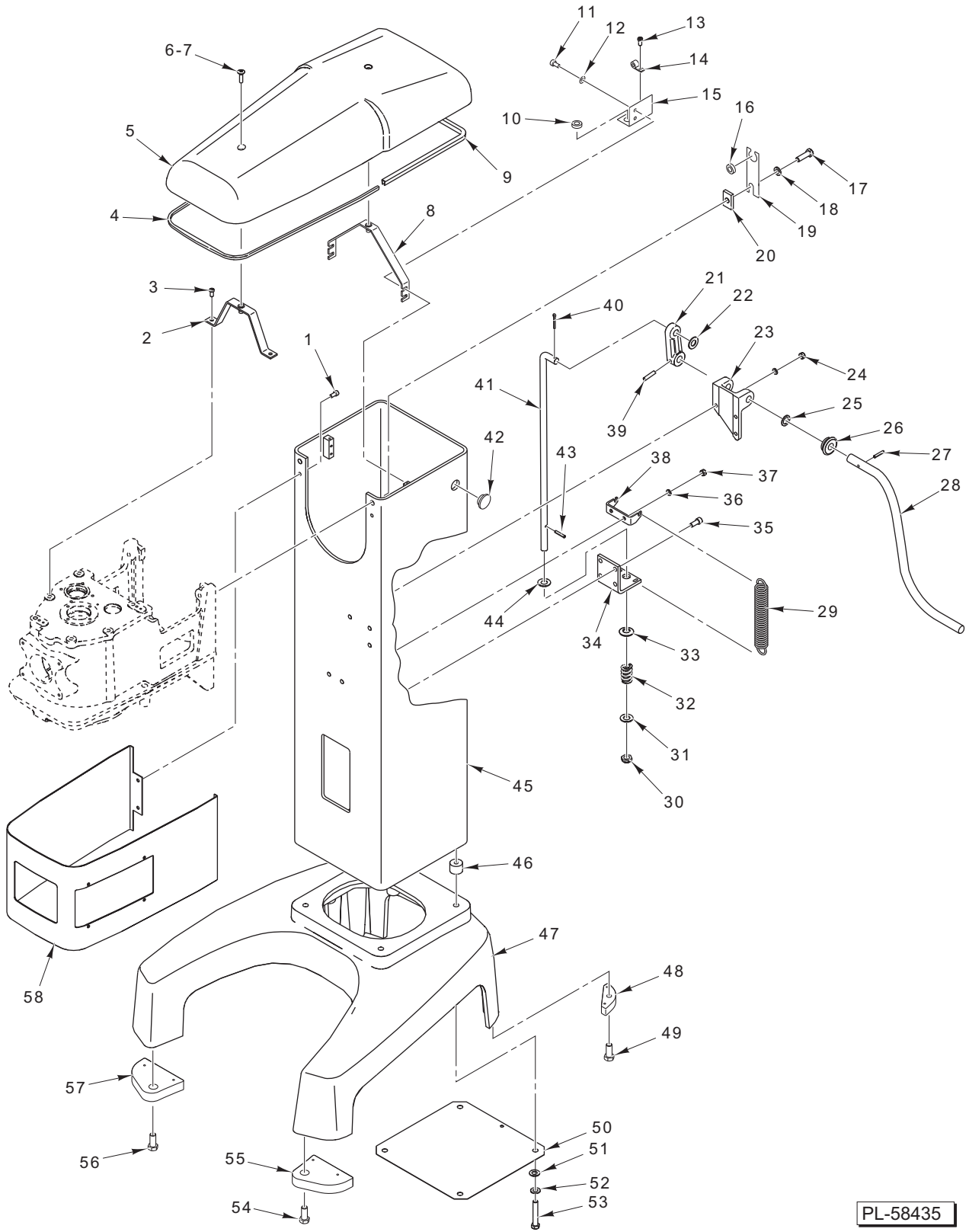
Order PCB Assembly 00-913102-00103 when replacing recipe timer with on board potentiometer.



ELECTRICAL COMPONENTS

ELECTRICAL COMPONENTS

ILLUS.	PART NO.	NAME OF PART	AMT.
PL-58465			
1	00-916761	Controller (100/120 V., 50/60 Hz., 1 Ph.).....	1
2	00-916762	Controller (200/230 V., 50/60 Hz., 1 Ph.).....	1
3	00-916763	Controller (200/230 V., 50/60 Hz., 3 Ph.).....	1
4	00-916764	Controller (380/480 V., 50/60 Hz., 3 Ph.).....	1
5	00-917807	Controller – Variable Speed (200/240 V., 50/60 Hz., 3 Ph.).....	1
6	WS-023-48	Washer.....	4
7	NS-038-04	Lock Nut 1/4-20.....	4
8	00-916871	Plate – Controller Mounting.....	1
9	NS-038-04	Lock Nut 1/4-20.....	4
10	SC-018-34	Mach. Screw 8-32 x 1/2 Phil. Pan Hd.....	4
11	SC-053-46	Mach. Screw 1/4-20 x 3/4 Slotted Truss Hd. (SST) (ML-134351 & ML-134461).....	7
12	SC-128-74	Mach. Screw 1/4-20 x 5/8 Tx. Button Hd. (SST) (ML-134358).....	7
13	SC-018-33	Mach. Screw 8-32 x 5/16 Phil. Pan Hd.....	1
14	00-916772-00001	Cover – Back & Studs (100/120 V. & 200/230 V., 1 Ph.).....	1
15	00-916772-00002	Cover – Back & Studs (200/230 V. & 380/480 V., 3 Ph.).....	1
16	WL-003-12	Washer.....	1
17	00-557188	Foam – Tape.....	AR
18	SC-018-34	Mach. Screw 8-32 x 1/2 Phil. Pan Hd.....	5
19	00-065890-00090	Terminal.....	1
20	NS-009-12	Nut 8-32 Hex.....	1
21	NS-038-04	Lock Nut 1/4-20.....	1
22	00-916269	Block – Terminal.....	1
23	NS-009-12	Nut 8-32 Hex.....	2
24	00-087714-042-5	Relay (2-Pole, 30 Amp.).....	1
25	WS-023-48	Washer.....	2
26	NS-009-12	Nut 8-32 Hex.....	2
	00-874833-00001	Cord & Plug Assy. (100/120 V., 50-60 Hz., 1 Ph.).....	1
	00-874833-00002	Cord & Plug Assy. (200/240 V., 50-60 Hz., 1 Ph.).....	1
	FE-026-34	Strain Relief – Electrical.....	1
	00-916649	Harness – Main Wiring.....	1
	00-916614-00001	Harness – Service Supply.....	1
	00-971161	Clamp – Heavy Duty Cable.....	1

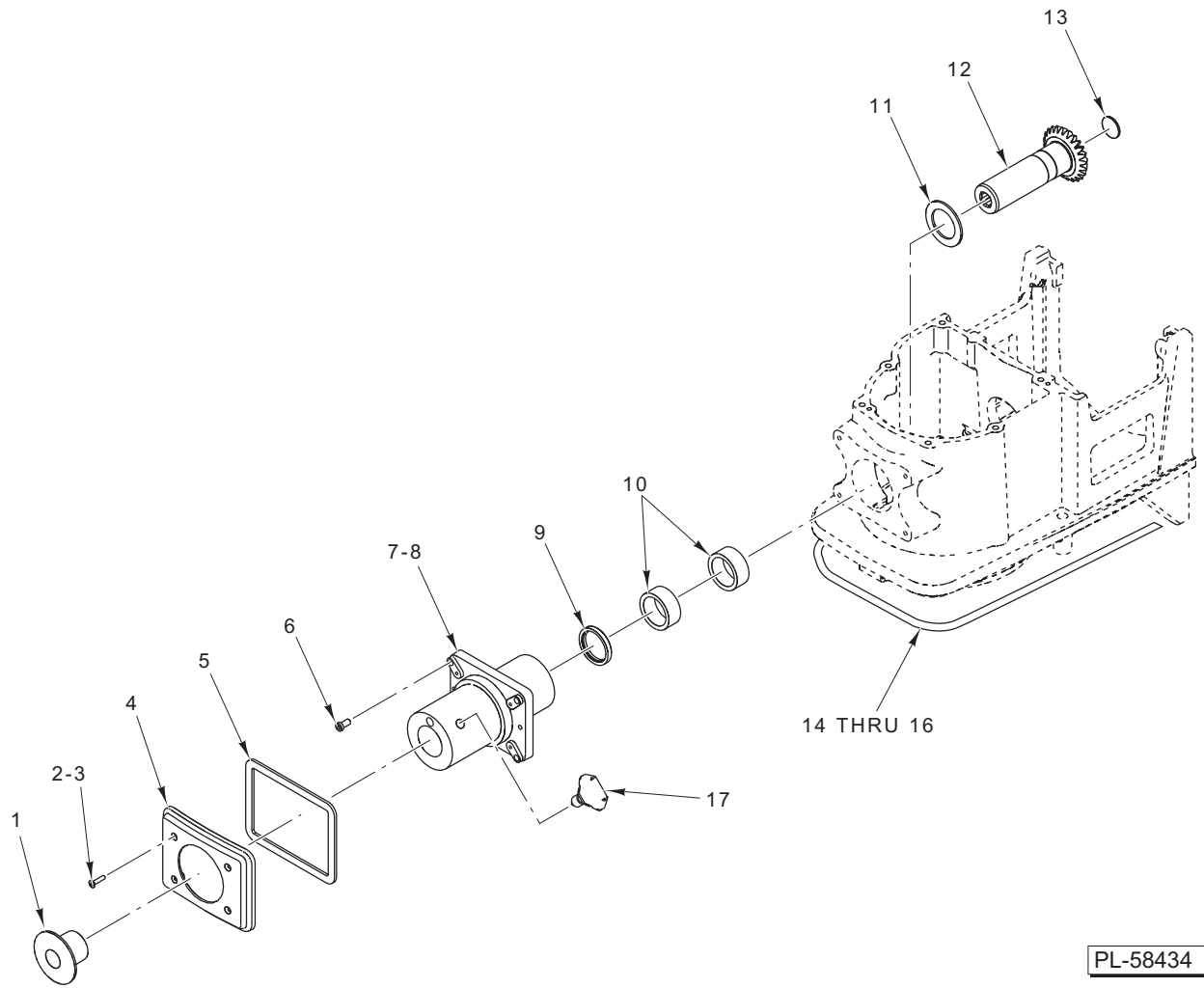


PL-58435

BASE AND PEDESTAL

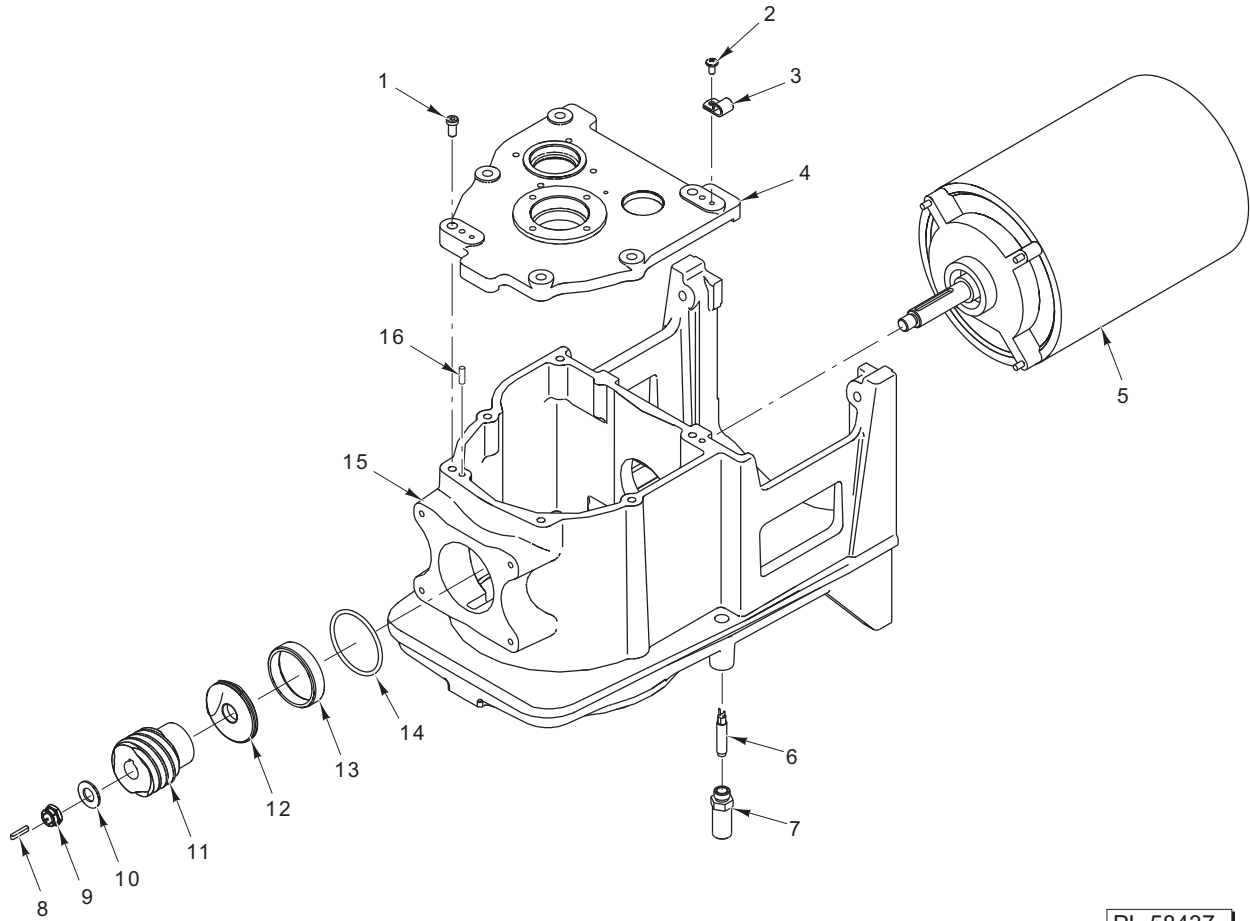
BASE AND PEDESTAL

ILLUS.	PART NO.	NAME OF PART	AMT.
	PL-58435		
1	SC-089-01	Cap Screw 1/4-20 x 1/2 Hex Socket Hd.....	2
2	00-916452	Strap – Front Cover Mounting	1
3	SC-089-19	Cap Screw 5/16-18 x 1 3/8 Hex Socket Hd.	2
4	00-874512-00003	Seal – Top Cover	1
5	00-917230	Cover – Top.....	1
6	SC-024-03	Mach. Screw 1/4-20 x 7/8 Slotted Fil. Hd. (SST) (ML-134351 & ML-134461).....	2
7	SC-121-73	Mach. Screw 1/4-20 x 1 Tx. Button Hd. (SST) (ML-134358).....	2
8	00-916454	Strap – Rear Cover Mounting	1
9	00-916535-00001	Seal – Top Cover	1
10	FE-021-13	Bushing – Split Electric.....	1
11	SC-089-01	Cap Screw 1/4-20 x 1/2 Hex Socket Hd.....	4
12	WS-003-19	Washer.....	4
13	SD-019-23	Self-Tapping Screw 10-16 x 3/8 Phil. Pan Hd., Type B	1
14	00-078752-00009	Clamp – Cable	1
15	00-937123	Plate – Electric Connection.....	1
16	FE-021-13	Bushing – Split Electric	1
17	SC-118-09	Cap Screw 3/8-16 x 1 1/4 Hex Hd.	6
18	WL-004-06	Lockwasher 3/8 Helical.....	6
19	00-916815	Plate – Wire Routing.....	1
20	00-271340	Bar – Reinforcing	6
21	00-916467	Arm – Bowl Lift.....	1
22	WS-008-47	Washer.....	1
23	00-916442	Block – Bowl Lift Bearing	1
24	NS-013-02	Nut 1/4-20 Hex	3
25	WS-020-01	Washer (SST)	1
26	00-271343	Grommet – Handle	1
27	RP-002-25	Pin – Roll (1/8).....	1
28	00-916482	Handle – Bowl Lift.....	1
29	00-916463	Spring – Bowl Lift.....	2
30	NS-031-39	Stop Nut 1/2-20	1
31	WS-008-47	Washer.....	1
32	00-070104	Spring – Bowl Lift.....	1
33	00-070131	Washer – Cup Bowl Lift	1
34	00-916469	Bracket – Bowl Lift Support	1
35	SC-040-14	Cap Screw 5/16-18 x 3/4 Hex Socket Hd.	4
36	WL-003-38	Lockwasher 1/4 Helical.....	2
37	NS-013-02	Nut 1/4-20 Hex	2
38	00-916449	Hook – Bowl Lift Spring	1
39	PS-004-15	Pin – Spirol (1/4).....	1
40	PC-006-13	Cotter Pin.....	1
41	00-916468	Rod – Bowl Lift.....	1
42	PB-005-30	Plug – Button	1
43	RP-002-10	Pin – Roll	1
44	WS-008-47	Washer.....	1
45	00-916364-00004	Column	1
46	00-916508	Lug – Threaded Column	4
47	00-916213-00004	Base.....	1
48	00-916309	Pad – Rear.....	2
49	SC-110-36	Cap Screw 3/8-16 x 1 Hex Hd.	2
50	00-916987	Cover – Bottom.....	1
51	WS-018-19	Washer.....	4
52	WL-004-04	Lockwasher 3/8 Helical.....	4
53	SC-118-05	Cap Screw 3/8-16 x 2 3/4 Hex Hd.	4
54	SC-110-36	Cap Screw 3/8-16 x 1 Hex Hd.	1
55	00-916308	Pad – Front (RH)	1
56	SC-110-36	Cap Screw 3/8-16 x 1 Hex Hd.	1
57	00-916307	Pad – Front (LH).....	1
58	00-916387-00002	Wrapper – Transmission.....	1
	00-917426	Kit – Corrosion Protection.....	1
	00-916353	Kit – Foot Pad (Incls. Items 48, 49, & 54 thru 57).....	1



ATTACHMENT HUB

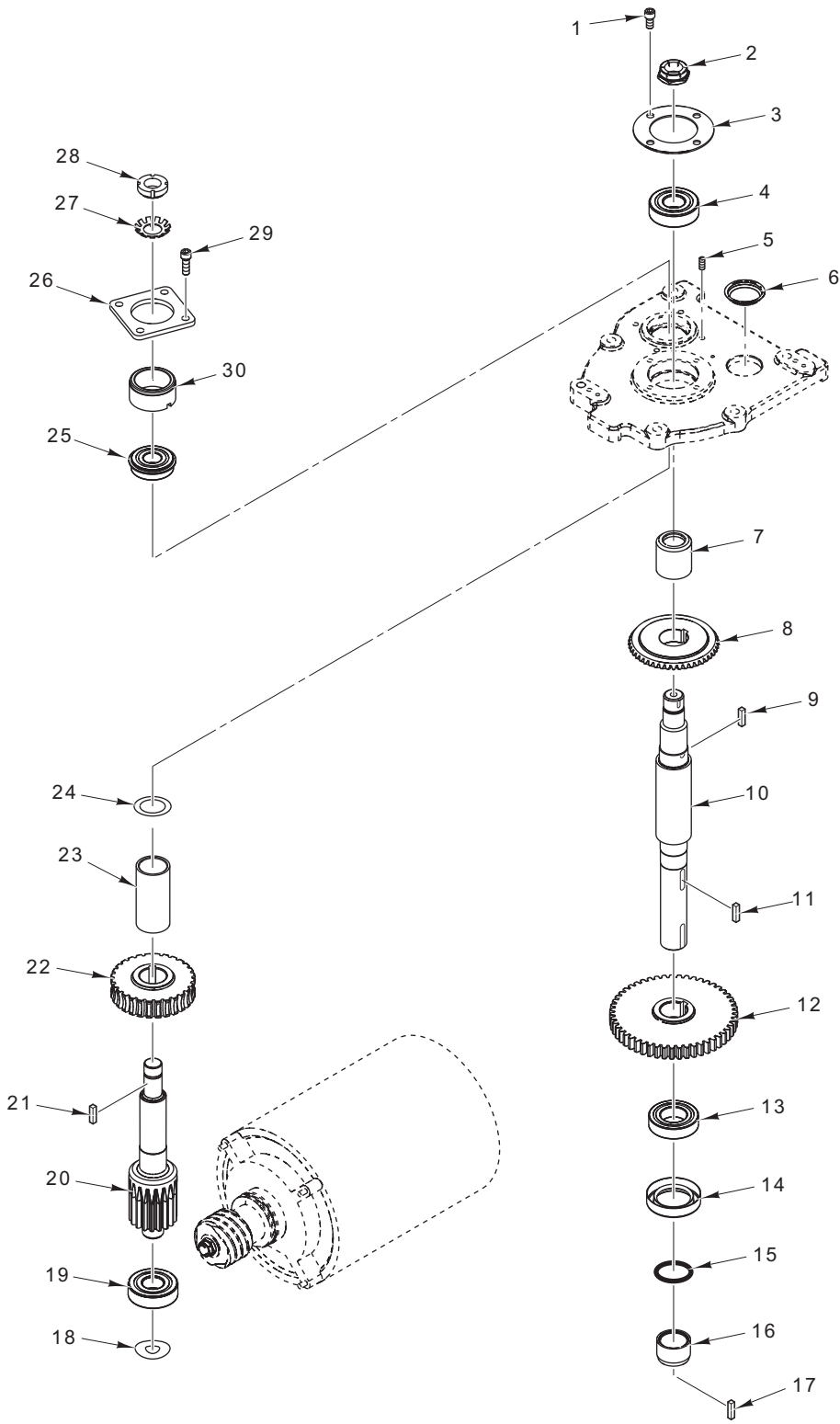
ILLUS.	PART NO.	NAME OF PART	AMT.
PL-58434			
1	00-917221	Plug – Attachment.....	1
2	SC-079-04	Mach. Screw 8-32 x 3/4 Phil. Oval Hd. (SST) (ML-134351 & ML-134461)	4
3	SC-128-85	Mach. Screw 8-32 x 3/4 Tx. Flat Hd. (SST) (ML-134358)	4
4	00-917222	Panel – Front	1
5	00-875813	Seal – Front Cover.....	1
6	SC-040-09	Cap Screw 1/4-20 x 1 1/4 Hex Socket Hd.....	4
7	00-916662-00002	Hub – Attachment	1
8	OR-001-09	O-Ring	1
9	00-916733	Seal – Attachment Hub	1
10	BN-005-11	Bearing – Needle	2
11	00-061920-00009	Washer.....	1
12	00-916601-00002	Gear – Drive Attachment (Incls. Item 13).....	1
13	PL-003-17	Plug – Expansion	1
14	00-874925-00005	Seal – Neoprene	1
15	00-874925-00008	Seal – Neoprene	1
16	00-874925-00009	Seal – Neoprene	1
17	00-108197-00001	Screw – Thumb.....	1



PL-58437

TRANSMISSION CASE AND MOTOR

ILLUS.	PART NO.	NAME OF PART	AMT.
PL-58437			
1	SC-040-15	Cap Screw $\frac{5}{16}$ x 18 x $\frac{1}{4}$ Hex Socket Hd.	6
2	SC-018-62	Mach. Screw 10-24 x $\frac{3}{8}$ Phil. Pan Hd.	1
3	00-078752-00003	Clamp – Cable	1
4	00-916324	Cover – Top.....	1
5	00-916446	Motor.....	1
6	00-087711-00352	Switch – Reed.....	1
7	00-917596	Holder – Reed Switch	1
8	00-012430-00069	Key $\frac{3}{16}$ x $\frac{3}{16}$ x $1\frac{39}{64}$	1
9	NS-032-23	Lock Nut $\frac{7}{16}$ -20 Special	1
10	WS-021-08	Washer.....	1
11	00-916338	Worm – Motor	1
12	00-916388	Deflector – Grease (LH).....	1
13	00-916445	Bushing – Motor.....	1
14	00-067500-00057	O-Ring	1
15	00-916326-00003	Transmission.....	1
16	00-011800-00187	Dowel.....	2

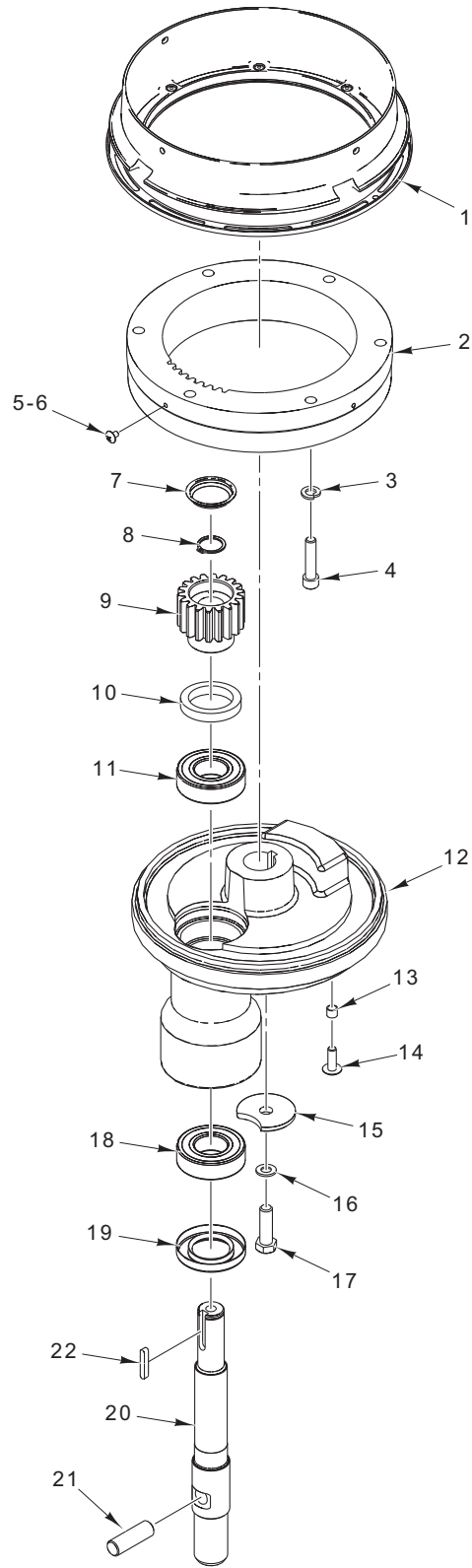


PL-58438

TRANSMISSION

TRANSMISSION

ILLUS.	PART NO.	NAME OF PART	AMT.
PL-58438			
1	SC-089-01	Cap Screw 1/4-20 x 1/2 Hex Socket Hd.....	4
2	NS-032-32	Lock Nut 3/4-16	1
3	00-916439-00002	Retainer – Planetary	1
4	BB-005-34	Bearing – Ball	1
5	SC-047-09	Set Screw 1/4-20 x 1/4 Hex Hdls. Cup Pt.	1
6	00-064871	Plug – Friction	1
7	00-916665	Spacer – Upper Planetary	1
8	00-070020-00002	Gear – Bevel (46T)	1
9	00-012430-00134	Key.....	1
10	00-916667	Shaft – Planetary	1
11	00-012430-00136	Key.....	1
12	00-916666	Gear – Helical (51T)	1
13	BB-015-08	Bearing – Ball	1
14	00-110334	Seal – Planetary	1
15	00-067500-00068	O-Ring	1
16	00-916663	Spacer – Lower Planetary	1
17	00-012430-00158	Key.....	1
18	SL-005-04	Spring – Loading.....	1
19	BB-020-06	Bearing – Ball	1
20	00-916340	Shaft – Worm Gear.....	1
21	00-012430-00138	Key.....	1
22	00-916339	Gear – Worm	1
23	00-916357	Spacer – Input Shaft	1
24	00-916358	Spacer - Upper Input Shaft.....	1
25	BB-021-21	Bearing – Ball	1
26	00-916438	Retainer – Wormwheel	1
27	WL-012-04	Lockwasher.....	1
28	NS-034-04	Lock Nut 3/4-16	1
29	SC-089-02	Cap Screw 1/4-20 x 3/4 Hex Socket Hd.	4
30	00-271301-00002	Sleeve – Worm Gear Adjustment.....	1

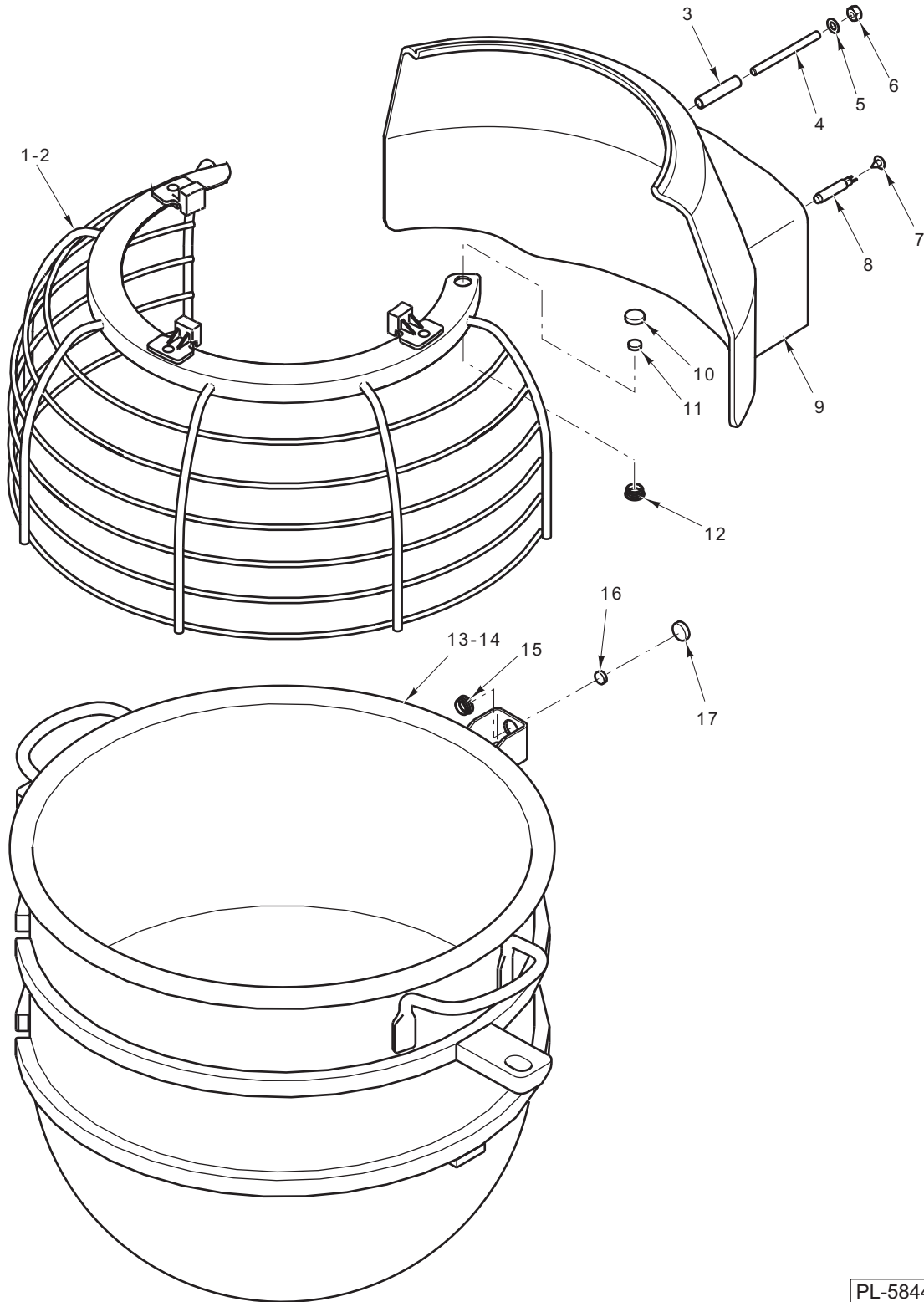


PL-58439

PLANETARY

PLANETARY

ILLUS.	PART NO.	NAME OF PART	AMT.
PL-58439			
1	00-917253	Flange – Dripcup	1
2	00-916416-00001	Gear – Internal	1
3	WL-003-48	Lockwasher ⁵ / ₁₆ Helical	6
4	SC-089-19	Cap Screw ⁵ / ₁₆ -18 x 1 ³ / ₈ Hex Socket Hd.	6
5	SC-066-13	Mach. Screw 8-32 x 1/4 Phil. Truss Hd. (SST) (ML-134351 & ML-134461).....	3
6	SC-128-73	Mach. Screw 8-32 x 1/4 Tx. Button Hd. (ML-134358)	3
7	00-064871	Plug – Friction.....	1
8	RR-004-06	Retaining Ring	1
9	00-916461	Pinion – Agitator Shaft	1
10	00-916563	Seal – Upper Agitator Shaft	1
11	BB-020-06	Bearing – Ball	1
12	00-916435	Planetary.....	1
13	00-874770	Spacer – Bowl Scraper	2
14	SC-053-46	Mach. Screw 1/4-20 x 3/4 Slotted Truss Hd. (SST).....	2
15	00-917743	Washer – Planetary	1
16	WL-006-27	Lockwasher ³ / ₈ Helical.....	1
17	SC-062-58	Cap Screw ³ / ₈ -24 x 1 ¹ / ₄ Hex Socket Hd.	1
18	BB-017-36	Bearing – Ball	1
19	00-110335	Seal – Agitator Shaft	1
20	00-916457	Shaft – Agitator	1
21	00-070019	Pin – Agitator	1
22	00-012430-00142	Key.....	1
	00-916437-00001	Planetary Assy. (Incls. Items 7 thru 14 & 18 thru 21).....	1

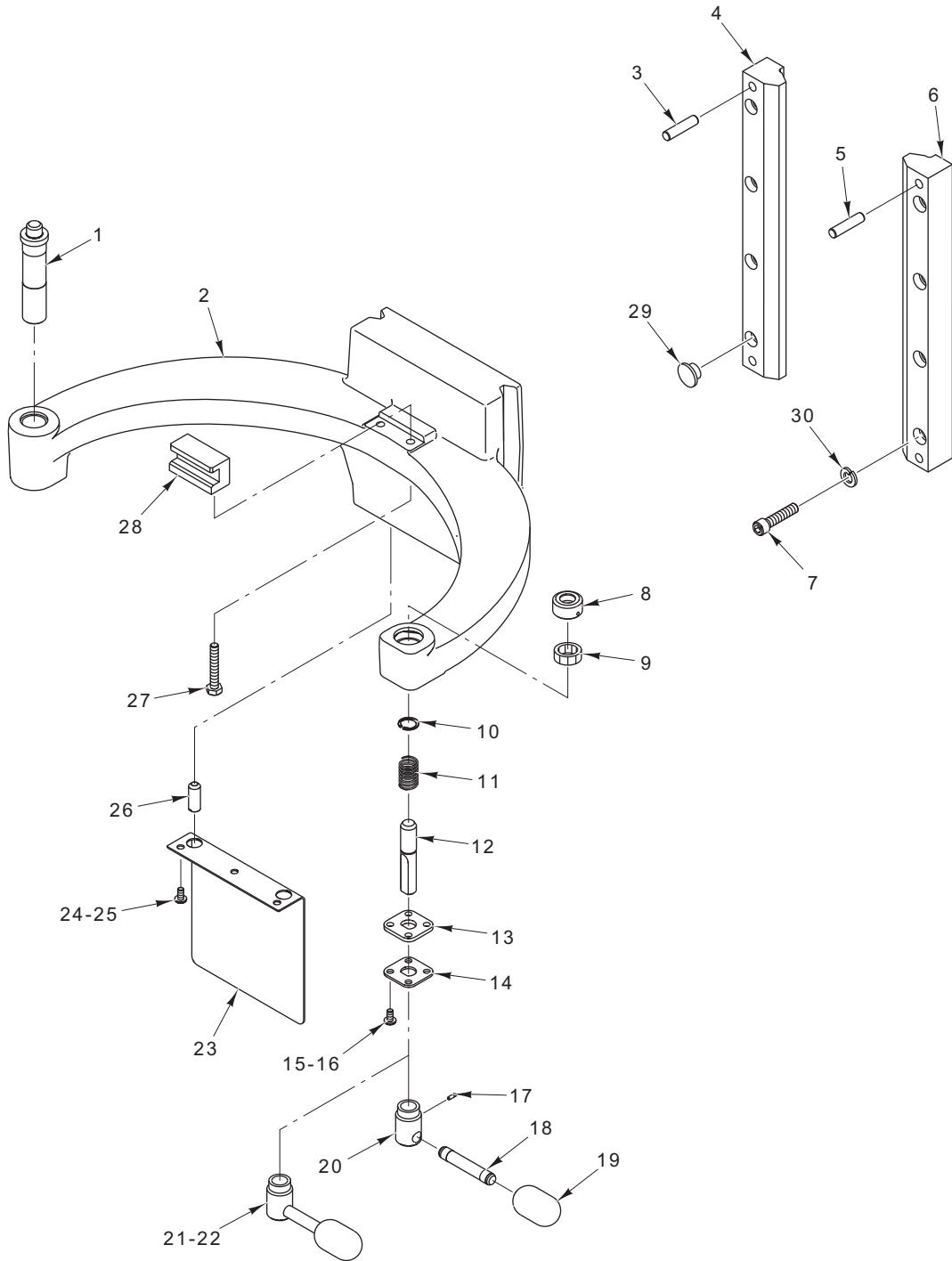


PL-58440

BOWL AND BOWL GUARD

BOWL AND BOWL GUARD

ILLUS.	PART NO.	NAME OF PART	AMT.
PL-58440			
1	00-937210-00001	Wire Cage Assy. (Incls. Items 10, 11, & 12) (ML-134351 & ML-134461).....	1
2	00-937210-00002	Wire Cage Assy. (Incls. Items 10, 11, & 12) (ML-134358)	1
3	00-916610	Spacer – Splash Guard	4
4	00-916671	Rod – Splash Guard	4
5	WS-003-19	Washer.....	8
6	NS-013-02	Nut 1/4-20 Hex	4
7	SD-034-19	Self-Tapping Screw 10-16 x 3/8 Phil. Truss Hd., Type AB.....	1
8	00-087711-00352	Switch – Reed.....	1
9	00-917228	Guard – Splash Back.....	1
10	00-917357	Holder – Upper Magnet	1
11	00-874875	Magnet – Disc.....	1
12	00-917358	Holder – Lower Magnet	1
13	00-916617	Bowl Assy. (20 Qt.).....	1
14	00-916616	Bowl Assy. (30 Qt.).....	1
15	00-917358	Holder – Lower Magnet	1
16	00-874875	Magnet – Disc.....	1
17	00-917357	Holder – Upper Magnet	1

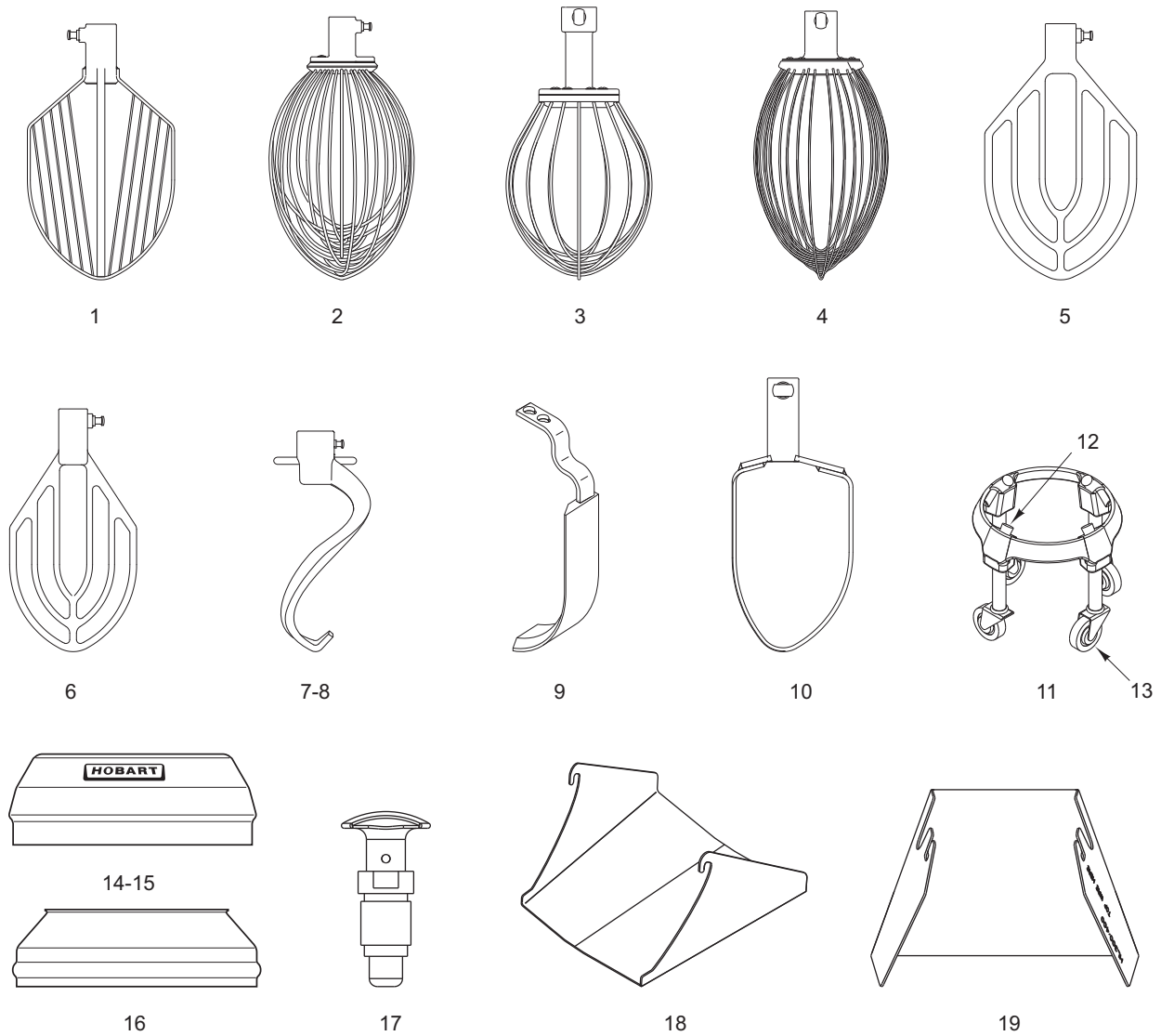


PL-58436

BOWL SUPPORT

BOWL SUPPORT

ILLUS.	PART NO.	NAME OF PART	AMT.
PL-58436			
1	00-916516	Pin – Bowl (LH).....	1
2	00-916497	Support – Bowl	1
3	00-011800-00141	Dowel ¹ / ₁₆ x 1 ³ / ₁₆	2
4	00-916365-00001	Slideway – Bowl Lift (LH).....	1
5	00-011800-00141	Dowel ¹ / ₁₆ x 1 ³ / ₁₆	2
6	00-916365-00002	Slideway – Bowl Lift (RH)	1
7	SC-089-19	Cap Screw ⁵ / ₁₆ -18 x 1 ³ / ₈ Hex Socket Hd.	8
8	00-916501	Ramp	1
9	00-916502	Bushing – Split.....	1
10	RR-012-30	Retaining Ring	1
11	00-916488	Spring – Compression	1
12	00-916505	Pin – Bowl (RH)	1
13	00-916550	Glide – Bowl Release	1
14	00-916506	Plate – Bowl Release.....	1
15	SC-093-23	Mach. Screw 10-24 x ³ / ₈ Phil. Pan Hd. (SST) (ML-134351 & ML-134461).....	4
16	SC-128-64	Mach. Screw ¹ / ₄ -20 x 1 Tx. Flat Hd. (ML-134358).....	4
17	SC-047-74	Set Screw 8-32 x ¹ / ₄ Hex Hdls., Cup Pt.....	1
18	00-916552	Shaft – Bowl Pin Handle (ML-134351 & ML-134461).....	1
19	00-875356	Handle – Lift Lever (ML-134351 & ML-134461)	1
20	00-916503	Block – Bowl Handle (ML-134351 & ML-134461).....	1
21	00-916504-00002	Handle – Bowl Release (ML-134358).....	1
22	00-916504-00001	Handle – Bowl Release (ML-134351 & ML-134461)	1
23	00-916470	Apron – Lower	1
24	SC-093-23	Mach. Screw 10-24 x ³ / ₈ Phil. Pan Hd. (SST) (ML-134351 & ML-134461).....	3
25	SC-128-69	Mach. Screw 10-24 x ³ / ₈ Tx. Button Hd. (ML-134358)	3
26	SC-129-59	Set Screw ³ / ₈ -16 x 1	2
27	SC-097-15	Cap Screw ¹ / ₄ -20 x 1 ⁵ / ₈ Hex Hd.....	2
28	00-916515	Catch – Rear Bowl.....	1
29	PB-004-96	Cap	8
30	WL-003-48	Lockwasher ⁵ / ₁₆ Helical	8



PL-58466

AGITATORS AND ACCESSORIES

ILLUS.	PART NO.	NAME OF PART	AMT.
1	00-916573	"C" Wire Whip (30 & 40 Qt.) (Packaged)	1
2	00-916598	"D" Wire Whip (20 Qt.) (Packaged)	1
3	00-916520	"I" Wire Whip (30 & 40 Qt.) (Packaged)	1
4	00-916421	"D" Wire Whip (30 & 40 Qt.) (Packaged)	1
5	00-916372	"B" Beater (30 & 40 Qt.) (Packaged)	1
6	00-916582	"B" Flat Beater (20 Qt.) (Packaged)	1
7	00-916827	"ED" Dough Arm (20 Qt.) (Packaged)	1
8	00-916618-00001	"ED" Hook (30 & 40 Qt.) (Packaged)	1
9	00-916838	Bowl Scraper (30 Qt.) (Packaged)	1
10	00-916481	"P" Pastry Knife (30 & 40 Qt.) (Packaged)	1
11	00-916883	Bowl Truck Assy. (Incls. Items 12 & 13)	1
12	00-018682-00001	Foot	4
13	00-087668-00002	Caster - Bowl Truck	4
14	00-438079	Splash Cover (20 Qt.) (Packaged) (Lexan)	1
15	00-438080	Splash Cover (30 Qt.) (Packaged) (Lexan)	1
16	00-875677	Splash Cover (20 Qt.) (Packaged) (SST)	1
17	00-874753	Plunger Assy.	1
18	00-916684	Chute - Ingredient (20 Qt.) (Packaged)	1
19	00-917928	Chute - Ingredient (Packaged)	1