



CATALOG OF REPLACEMENT PARTS



MODEL N50 MIXER

(INCLUDES MOTOR PARTS)

ML-134268

ML-134262

ML-134272

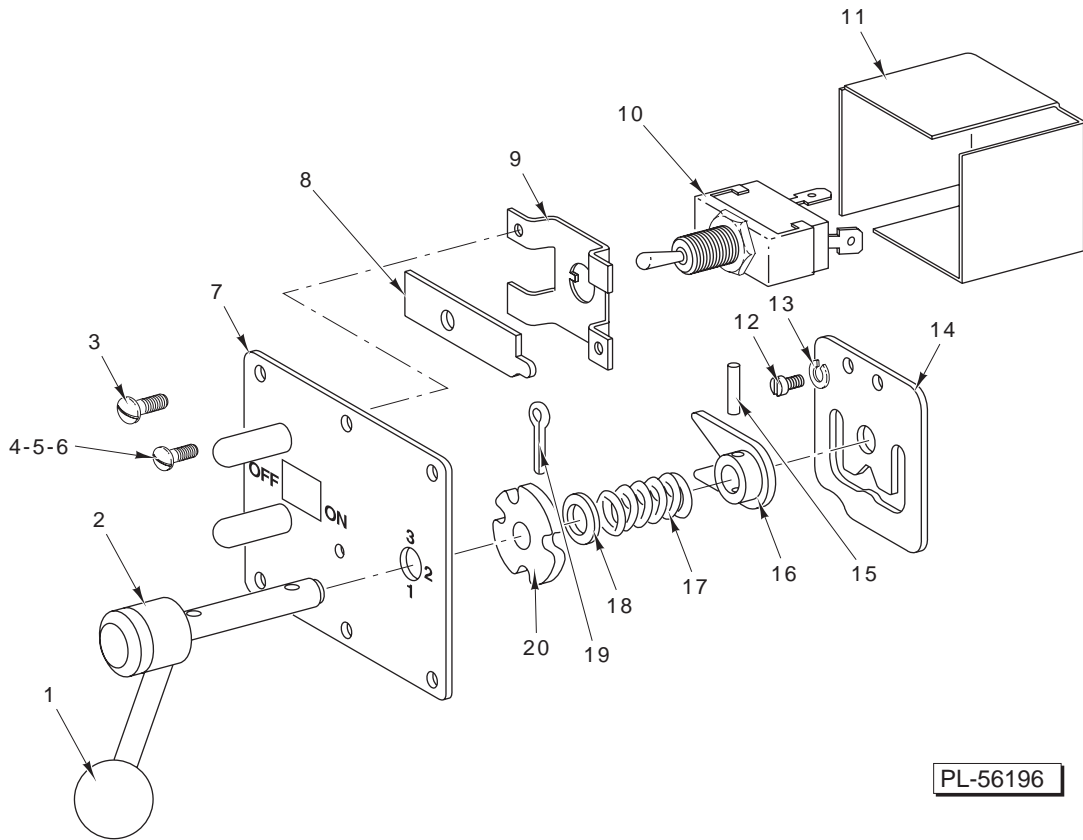
PRIOR MLS COVERED IN THIS CATALOG

ML-134225

ML-33777

Table of Contents

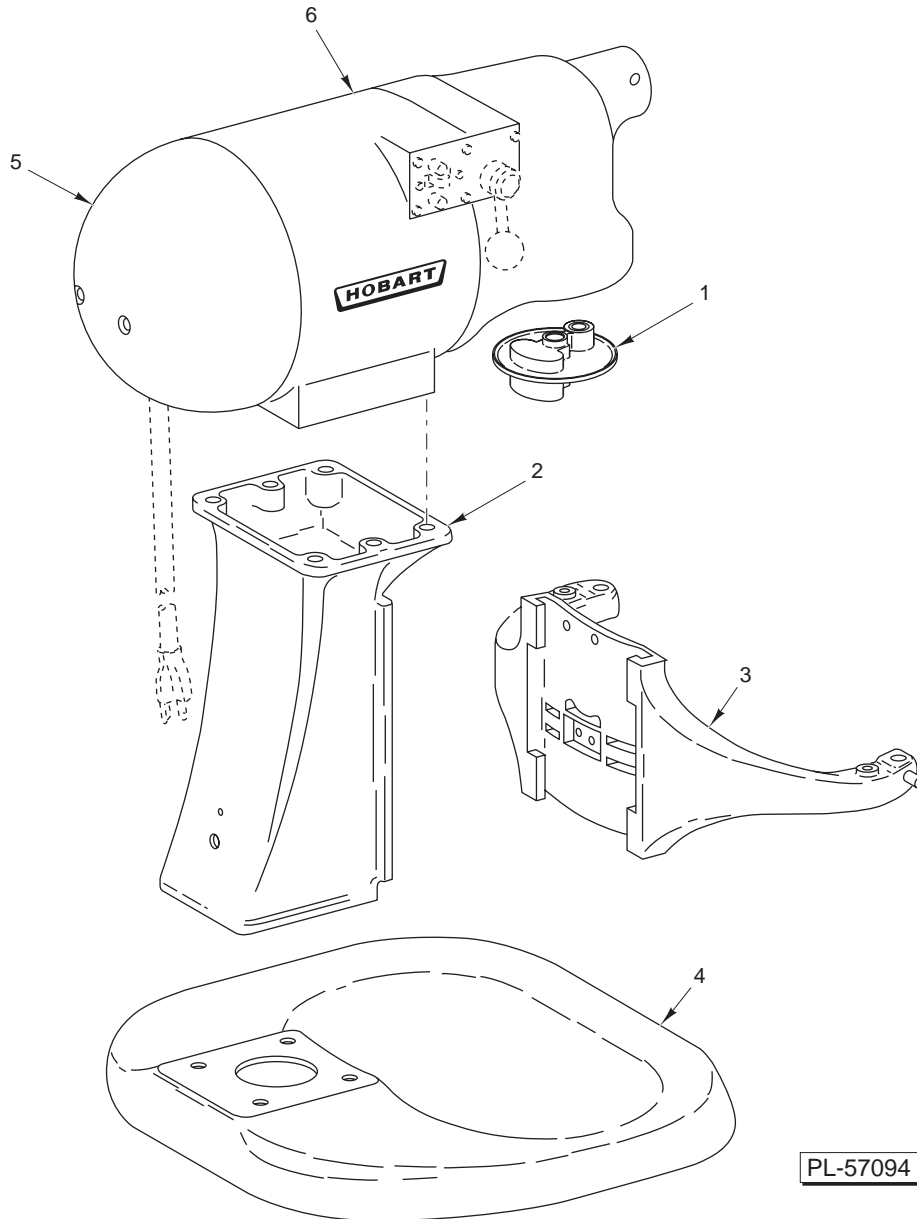
3	Switch Unit
5	Various Painted Parts
7	Column and Base Unit
8	Planetary, Tumbler, and Agitator Shaft Unit
11	Motor Parts
12	Bowl and Agitator Unit



PL-56196

SWITCH UNIT

ILLUS.	PART NO.	NAME OF PART	AMT.
	PL-56196		
1	00-077401	Knob	1
2	00-290196-00003	Shift Handle Assy. (Incls. Item 1)	1
3	00-123109	Screw 6-32 Serrated Hd.	6
4	SC-081-41	Mach. Screw 4-40 x 5/16 Rd. Hd.	2
5	WL-003-03	Lockwasher #4 Helical	2
6	NS-009-02	Mach. Nut 4-40 Hex	2
7	00-291980-00001	Control Box Plate Assy.	1
8	00-291982	Plunger – Interlock	1
9	00-291981	Bracket – Switch	1
10	00-087711-184-1	Switch	1
11	00-291985	Insulator – Switch	1
12	00-009091	Screw – Cam Plate Retaining	2
13	WL-019-79	Lockwasher #12 Light	2
14	00-009062	Plate – Cam	1
15	RP-005-03	Roll Pin	1
16	00-479548	Fork – Shifter	1
17	00-007433-00001	Spring	1
18	WS-004-47	Washer	1
19	PC-006-34	Cotter Pin 7/64 x 1	1
20	00-009059	Disc – Interlock	1

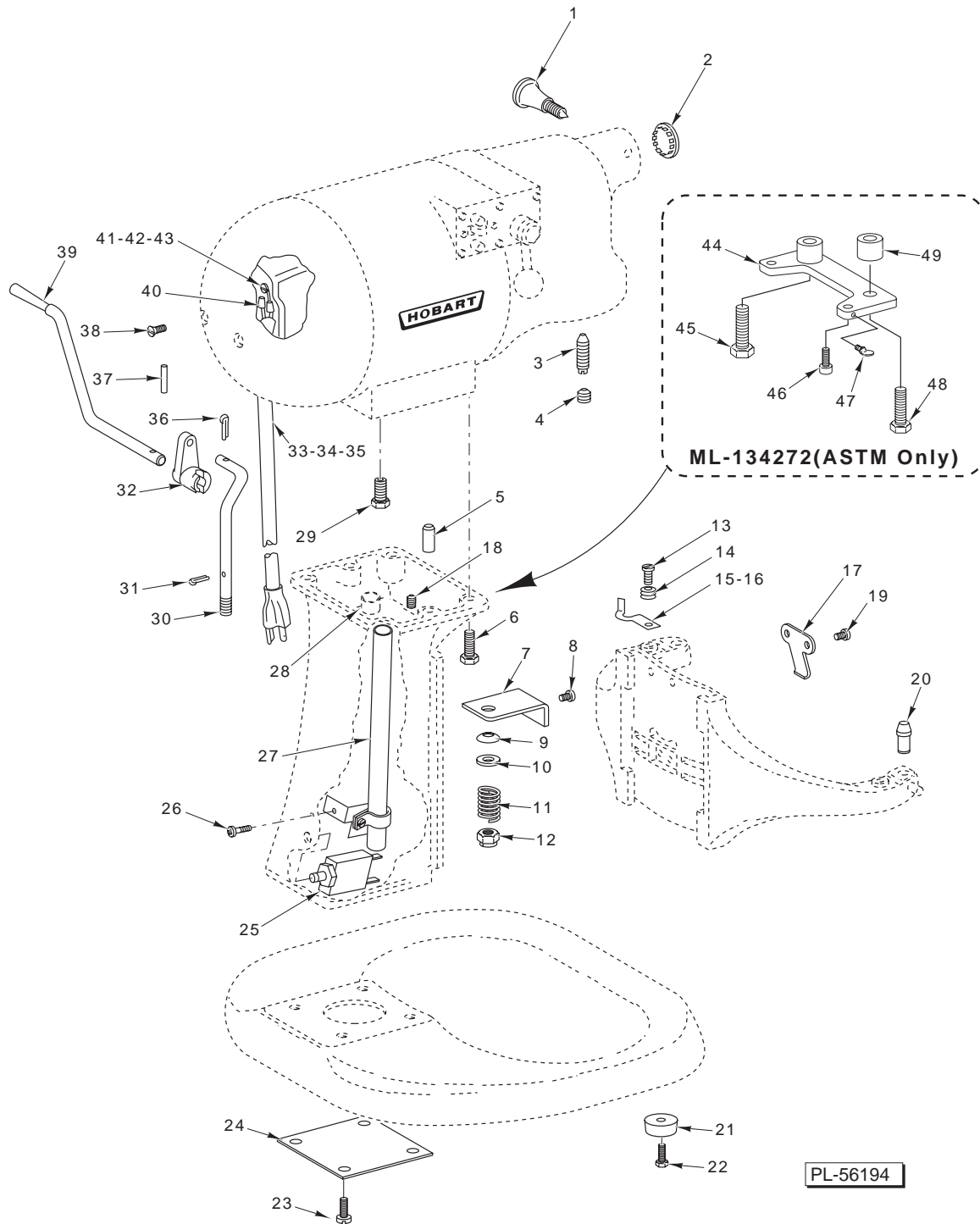


VARIOUS PAINTED PARTS

VARIOUS PAINTED PARTS

Item No.	Part Name	Color								
		Hobart Gray Commercial ML-134268 ML-33777	Hobart Gray ASTM ML-134272	Hobart Gray Commercial & Residential ML-134262 ML-134225	Cherry Red Commercial & Residential ML-134262	Berry Blue Commercial & Residential ML-134262	Plum Black Commercial & Residential ML-134262	Creamy White Commercial & Residential ML-134262		
1	Planetary Subassy.	477123-2	477123-2	477123-2	477123-3	477123-4	477123-5	477123-6		
2	Column	271547*	271547*	290357	290357-2	290357-3	290357-4	290357-5		
3	Bowl Support	271551	435299	271551	271551-2	271551-3	271551-4	271551-5		
4	Base & Foot Support Assy.	477061	477061	477061	477061-2	477061-3	477061-4	477061-5		
5	End Cover	120433-1	120433-1	120433-1	120433-6	120433-7	120433-8	120433-9		
6	Housing Assy.	439956-2	439956-2	439956-2	439956-4	439956-5	439956-6	439956-7		

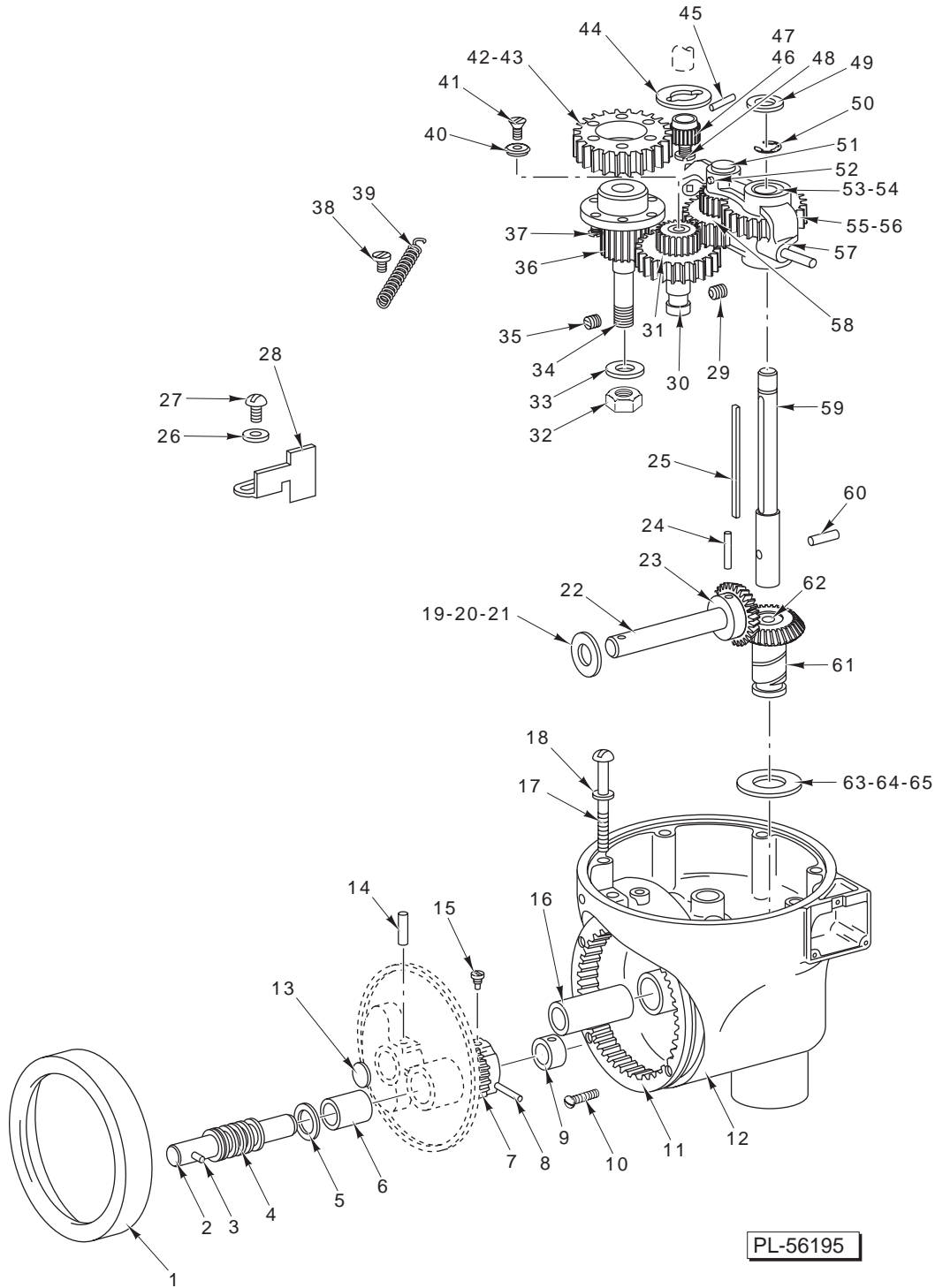
* Column 271547 without holes for reset switch



COLUMN AND BASE UNIT

COLUMN AND BASE UNIT

ILLUS. PL-56194	PART NO.	NAME OF PART	AMT.
1	00-016951-00004	Thumb Screw Assy.	1
2	00-274288	Cap – Attachment Hub	1
3	00-009094	Screw – Adjusting	1
4	SC-046-59	Set Screw ⁵ / ₁₆ -18 x ¹ / ₂ Hdls., Cup Pt.	1
5	00-011800-00215	Dowel	2
6	SC-037-75	Cap Screw ⁵ / ₁₆ -18 x ³ / ₄ Hex Hd.	3
7	00-271663	Bracket – Bowl Lift	1
8	SC-013-48	Mach. Screw 10-24 x ¹ / ₂ Flat Hd.	2
9	00-271662	V-Washer	1
10	WS-003-23	Washer	1
11	00-271667	Spring	1
12	NS-048-25	Stop Nut ¹ / ₄ -28 Elastic	1
13	00-274614	Screw – Pivot	2
14	00-291263	Washer – Belleville	6
15	00-291444-00002	Bowl Clamp (RH)	1
16	00-291444-00001	Bowl Clamp (LH)	1
17	00-437161	Latch – Bowl Spring	1
18	SC-124-12	Set Screw ¹ / ₄ -28 x ¹ / ₂ Hdls., Cup Pt.	1
19	SC-007-72	Mach. Screw 10-24 x ¹ / ₄ Rd. Hd.	2
20	00-271552	Pin – Bowl Retaining	2
21	00-271650	Foot – Rubber	4
22	SD-008-43	Self-Tapping Screw 8 x ³ / ₈ Phil. Rd. Hd., Type B	4
23	SC-100-12	Special Screw ⁵ / ₁₆ -18 x ³ / ₄ Pan Hd.	4
24	00-078815	Screen – Air	1
25	00-101491-29-01	Circuit Breaker	1
26	SD-012-45	Screw 8-32 Drive	1
27	00-124936	Bracket & Insulator Assy.	1
28	00-024670	Fiber Insulator	1
29	00-477880-00002	Bolt – Special	1
30	00-271665	Rod – Bowl Lift	1
31	PC-006-33	Cotter Pin ³ / ₃₂ x ¹ / ₂	1
32	00-241764	Arm – Bowl Lift	1
33	00-117542-00026	Cord & Plug Assy. (3 Cond., 115 V.)	1
34	00-117542-00027	Cord & Plug Assy. (3 Cond., 220/230 V.)	1
35	FE-017-41	Strain Relief (Use with 33 & 34)	1
36	PC-006-33	Cotter Pin ³ / ₃₂ x ¹ / ₂	1
37	RP-002-10	Roll Pin ³ / ₁₆ Dia. x 1 Lg.	1
38	SC-015-22	Mach Screw 8-32 x ³ / ₈ Oval Hd.	2
39	00-437310	Handle – Bowl Lift	1
40	FE-006-17	Connector – Wire	2
41	SC-018-50	Mach. Screw 6-32 x ¹ / ₄ Pan Hd.	1
42	WL-011-20	Lockwasher #6 Internal Shakeproof	1
43	00-278367-00002	Motor Housing Assy. (ML-33777)	1
44	00-479505	Bracket – Adjustment (ML-134272)	1
45	SC-036-84	Cap Screw ⁷ / ₁₆ -14 x ¹ / ₄ Hex Hd. (ML-134272)	1
46	00-875151	Screw – Adjusting (ML-134272)	2
47	00-070641-00012	Thumb Screw 6-32 (ML-134272)	2
48	SC-062-21	Cap Screw ⁵ / ₁₆ -18 x ¹ / ₄ Hex Hd. (ML-134272)	1
49	00-479506	Spacer (ML-134272)	1

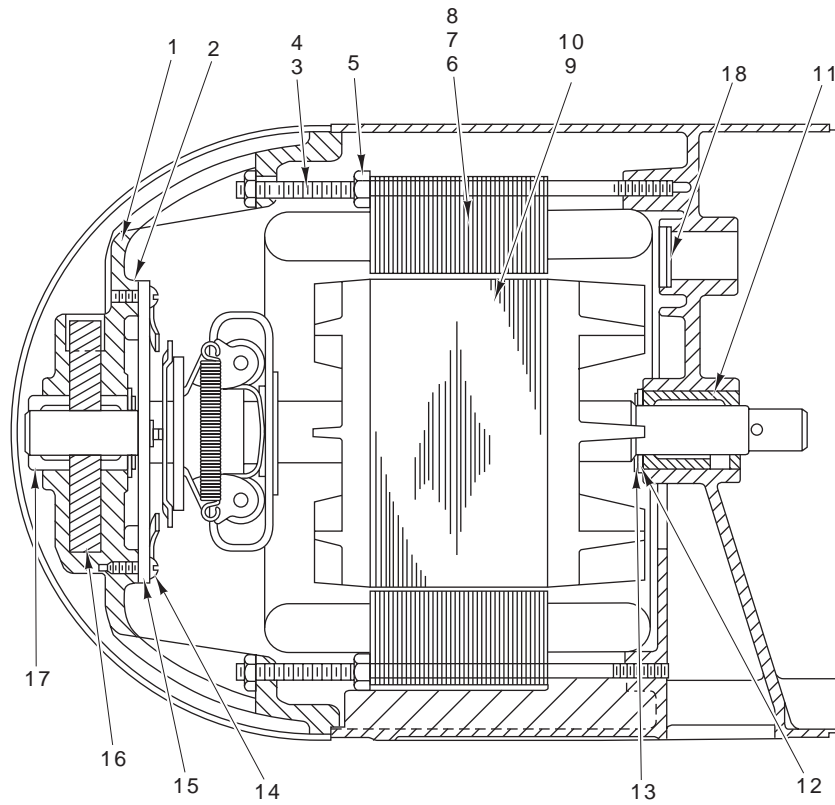


PLANETARY, TUMBLER, AND AGITATOR SHAFT UNIT

ILLUS.	PART NO.	NAME OF PART	AMT.
PL-56195			
1	00-021625-00003	Cup – Drip	1
2	00-061473	Agitator Shaft Assy. (Incls. Item 3)	1
3	PG-006-11	Groove Pin 1/4 x 5/8 Type D.	1

PLANETARY, TUMBLER AND AGITATOR SHAFT UNIT (CONT.)

ILLUS. PL-56195	PART NO.	NAME OF PART	AMT.
4	00-270718	Spring – Agitator Shaft	1
5	WS-008-02	Washer	1
6	00-009038	Bearing – Planetary (Lower)	1
7	00-274427	Pinion – Agitator Shaft (18T)	1
8	00-274444-00001	Pin – Agitator Shaft	1
9	00-007595	Bearing – Planetary (Upper)	1
10	SC-009-25	Mach. Screw 10-24 x 5/8 Rd. Hd.	4
11	00-005428	Gear – Internal (59T)	1
12	00-290257	Trans. Case & Brg. Assy. (Incls. Item 16) (ML-33777 & ML-134225)	1
13	00-004378	Washer – Cupped	1
14	PT-003-29	Taper Pin – #1 x 1 In. Lg.	1
15	00-007602	Screw – Bearing Retaining	1
16	00-009039	Bearing – Planetary Shaft	1
17	SC-008-58	Mach. Screw 12-24 x 2 3/4 Rd. Hd.	7
18	WS-002-30	Washer	7
19	00-124945	Washer (0.010 Thk.)	AR
20	00-124946	Washer (1/32 Thk.)	AR
21	00-124947	Washer (1/16 Thk.)	AR
22	00-009040	Shaft – Planetary	1
23	00-020661-00002	Gear – Zerol Bevel (23T)	1
24	PT-003-40	Taper Pin – #2 x 1 In. Lg.	1
25	00-012430-00023	Key – Transmission Shaft (Upper)	1
26	WS-003-07	Washer	1
27	SC-060-07	Mach. Screw 12-24 x 3/4 Rd. Hd.	1
28	00-009090	Stop – Tumbler Yoke	1
29	SC-046-27	Set Screw 1/4-20 x 1/4 Hdls., Cup Pt.	1
30	00-009043	Shaft – Transmission (Lower)	1
31	00-009047	Transmission Gear Assy. (15T & 31T)	1
32	NS-013-22	Nut 3/8-16 Hex Fin.	1
33	00-006021	Washer (Copper)	1
34	00-009088	Shaft – Eccentric	1
35	SC-046-27	Set Screw 1/4-20 x 1/4 Hdls., Cup Pt.	1
36	00-017864	Flange Ring & Hub Assy.	1
37	SC-020-29	Mach. Screw 8-32 x 1/2 Flat Hd.	6
38	SC-013-26	Mach. Screw 8-32 x 3/8 Flat Hd.	1
39	00-010973	Spring – Tumbler Yoke	1
40	00-009042	Washer – Retaining	1
41	SC-013-48	Mach. Screw 10-24 x 1/2 Flat Hd.	1
42	00-009392	Gear – Main Drive (49T) (60 Hz.)	1
43	00-016758	Gear – Main Drive (47T) (50 Hz.)	1
44	00-016747	Washer – Motor Pinion	1
45	00-016777	Pin	1
46	00-016759	Pinion – Motor (17T) (50 Hz.)	1
47	00-009421	Pinion – Motor (15T) (60 Hz.)	1
48	00-005247-00002	Screw – Pinion Retaining	1
49	WS-008-04	Washer	1
50	RR-004-25	Retaining Ring	1
51	00-009052	Shaft – Tumbler	1
52	PC-003-36	Cotter Pin 3/32 x 1	1
53	00-009050	Sleeve – Shifter	1
54	00-009051	Retainer – Shifter Sleeve	1
55	00-009048	Gear – Transmission (31T)	1
56	00-012430-00022	Key	1
57	00-107342	Tumbler Yoke & Shifter Pin Assy.	1
58	00-009047	Transmission Gear Assy. (15T & 31T)	1
59	00-115148	Shaft – Transmission (Upper)	1
60	00-011800-00187	Dowel	1
61	00-104040-00002	Zerol Bevel Gear Assy. (23T) (Incls. Item 62)	1
62	00-005462	Washer – Plug	1
63	WS-012-12	Washer (0.008 Thk.)	AR
64	WS-012-13	Washer (1/64 Thk.)	AR
65	WS-012-14	Washer (1/32 Thk.)	AR
	00-074676	Tumbler Yoke & Gear Assy. (Incls. Items 51 thru 58)	1

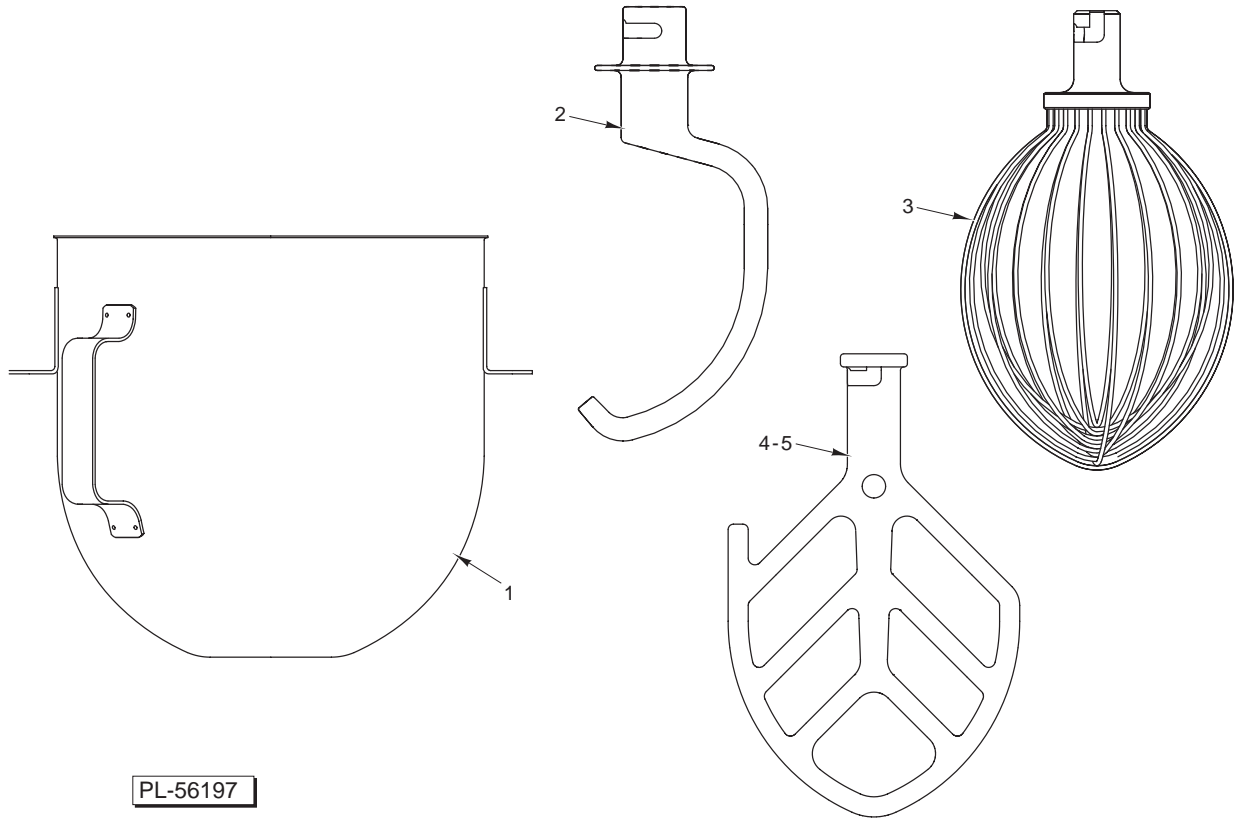


PL-56193

MOTOR PARTS

MOTOR PARTS

ILLUS.	PART NO.	NAME OF PART	AMT.
PL-56193			
1	00-812450	Bracket – Motor Bearing	1
2	00-069563	Insulator – Back Plate	1
3	00-022216-00002	Stud	4
4	00-023383-00014	Sleeve (Elec. Leads Protection) (60 Hz.)	4
5	NS-009-12	Mach. Nut 8-32 Hex	8
6	00-065477-008-1	Stator Assy. (115 V., 60 Hz., 1 Ph.)	1
7	00-065477-008-2	Stator Assy. (230 V., 60 Hz., 1 Ph.)	1
8	00-065477-028-1	Stator Assy. (115 V., 50 Hz., 1 Ph.)	1
9	00-022275-00149	Rotor Assy. (60 Hz.)	1
10	00-022275-00148	Rotor Assy. (50 Hz.)	1
11	00-290659	Bearing – Sleeve (Pulley End)	1
12	WS-007-21	Washer	2
13	WS-007-19	Washer	AR
14	SC-007-20	Mach. Screw 6-32 x 1/4 Rd. Hd.	2
15	00-066085	Switch – Starting (Stationary Part)	1
16	00-511813	Wicking 1/4 Dia. x 1 In. Lg.	AR
17	00-290659	Bearing – Sleeve (Switch End)	1
18	00-004378	Washer	1



BOWL AND AGITATOR UNIT

ILLUS.	PART NO.	NAME OF PART	AMT.
PL-56197			
1	00-295576	Bowl – 5 Qt. (SST)	1
2	00-315966	“E” Dough Arm	1
3	00-295580	“D” Wire Whip	1
4	00-295578	“B” Flat Beater (Aluminum)	1
5	00-295579	“B” Flat Beater (SST)	1