



CATALOG OF REPLACEMENT PARTS

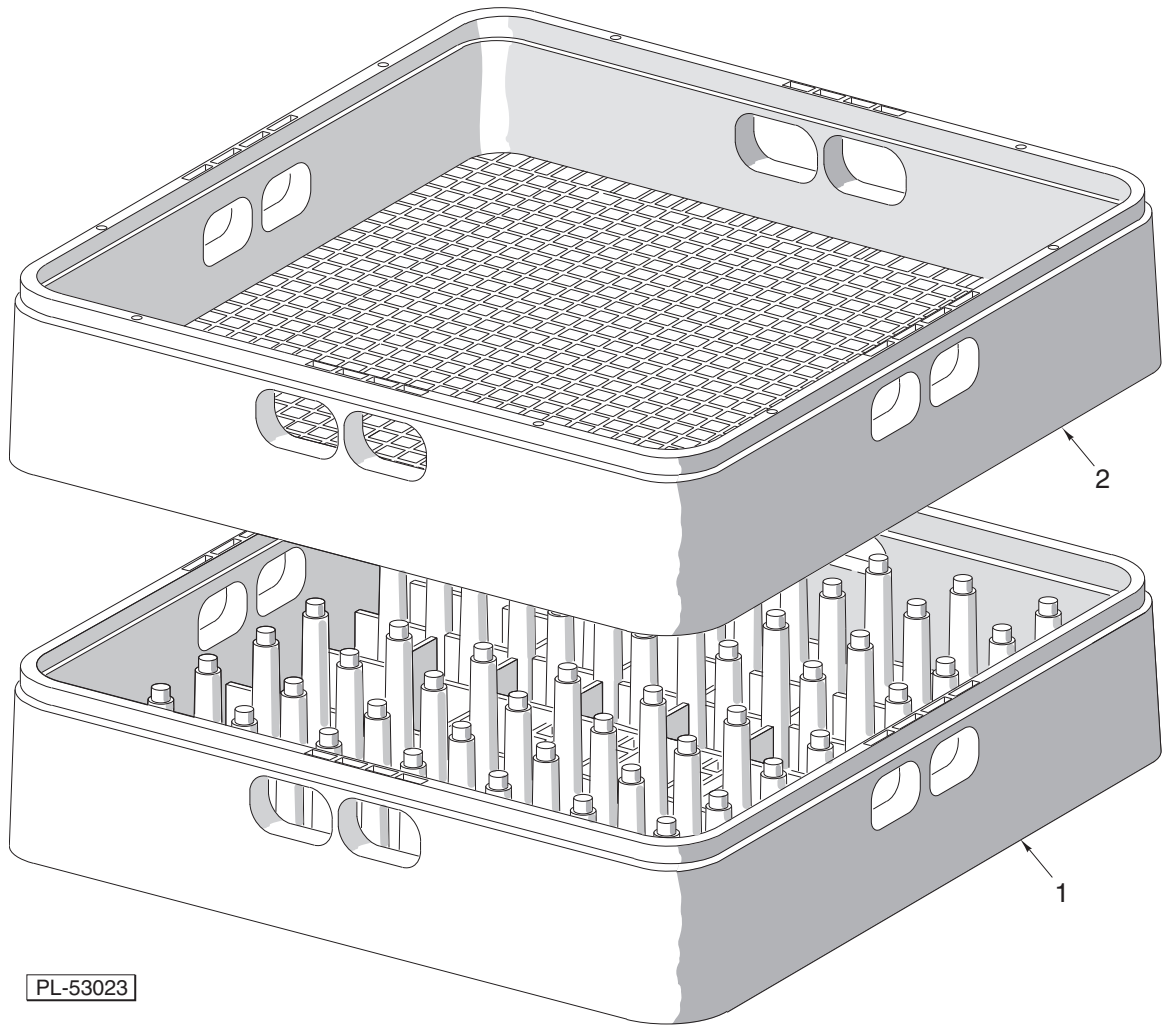


DISHWASHER

AM15	ML-130038
AM15T	ML-130039
AM15F	ML-130045
AM15VL	ML-130153
AM15VLT	ML-130154
AM15VLF	ML-130155

Table of Contents

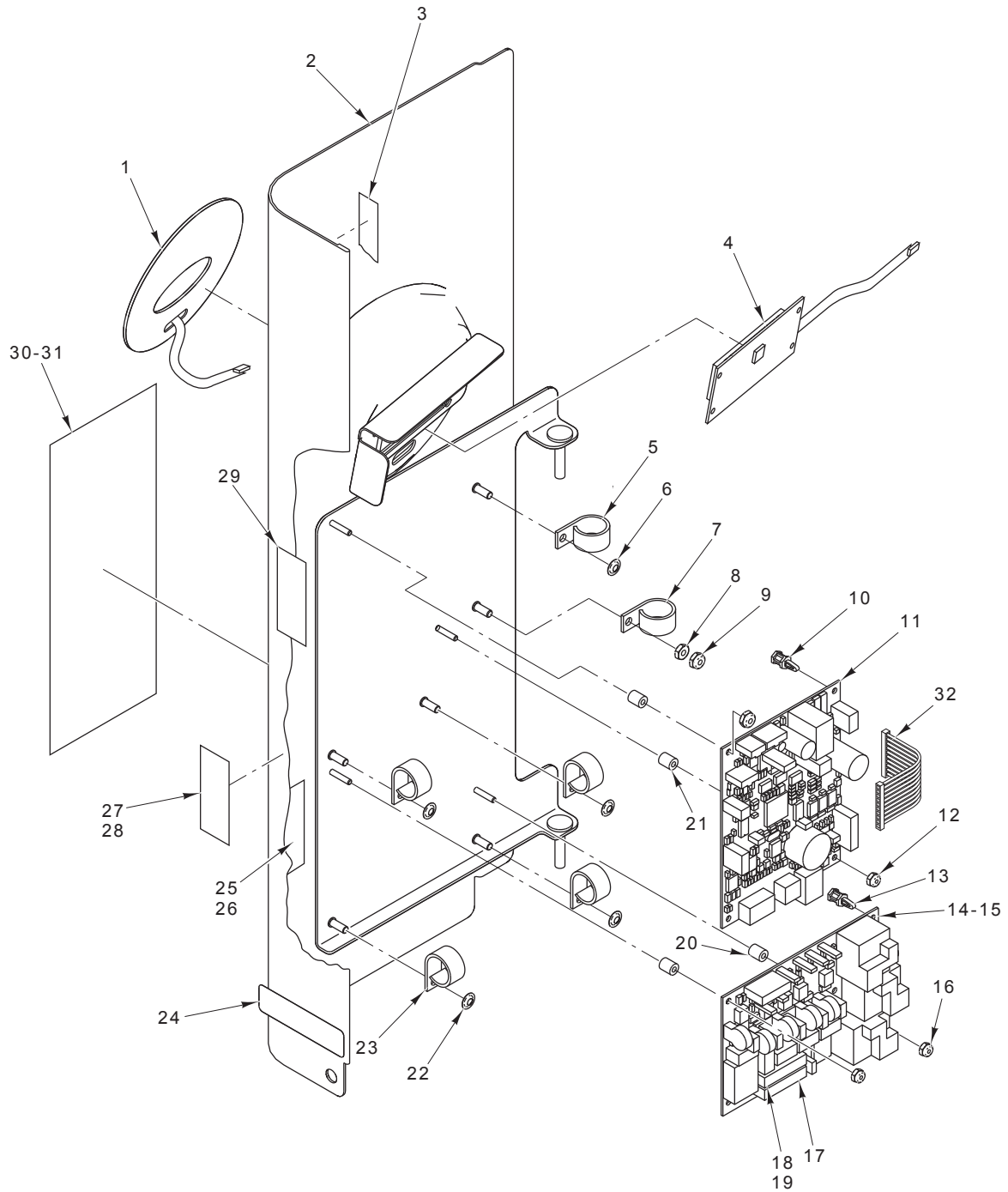
3	DISH RACKS
5	CONTROLS
7	CONTROL BOX (ELECTRIC HEAT)
9	CONTROL BOX (GAS HEAT) (ML-130038, ML-130039, & ML-130045)
11	MOTOR AND PUMP
13	UPPER WASH ARM
15	LOWER WASH ARM
17	INSIDE PIPING AND OUTSIDE RINSE PIPING (WITHOUT BOOSTER AND STEAM CONDENSER)
19	INSIDE PIPING AND OUTSIDE RINSE PIPING (WITH BOOSTER AND WITHOUT STEAM CONDENSER)
21	OUTSIDE PIPING WITH STEAM CONDENSER
23	BOOSTER PIPING (AM15, AM15T, & AM15F)
25	RINSE PUMP ASSEMBLY (ML-130153, ML-130154, & ML-130155)
27	ELECTRIC BOOSTER TANK
29	STEAM CONDENSER
31	LOW WATER PROTECTION AND ELECTRIC HEAT
33	DRAIN UNIT
35	DOOR ASSEMBLY (AM15 & AM15VL)
37	DOOR ASSEMBLY (AM15T, AM15F, AM15VLT, & AM15VLF)
39	PANELS AND RACK SUPPORT
41	GAS HEAT PIPING
43	GAS HEAT COMPONENTS
44	FRONT TRAY (AM15F & AM15VLF)



PL-53023

DISH RACKS

ILLUS.	PART NO.	NAME OF PART	AMT.
1	00-315191	Rack – Peg (Packaged).....	1
2	00-315193	Rack – Combination (Packaged).....	1
	00-295288	Peg Type Tray Rack (Packaged).....	1
	00-892671	Rack – Bun Pan.....	1
	00-474800	Rack (6 Pan).....	1

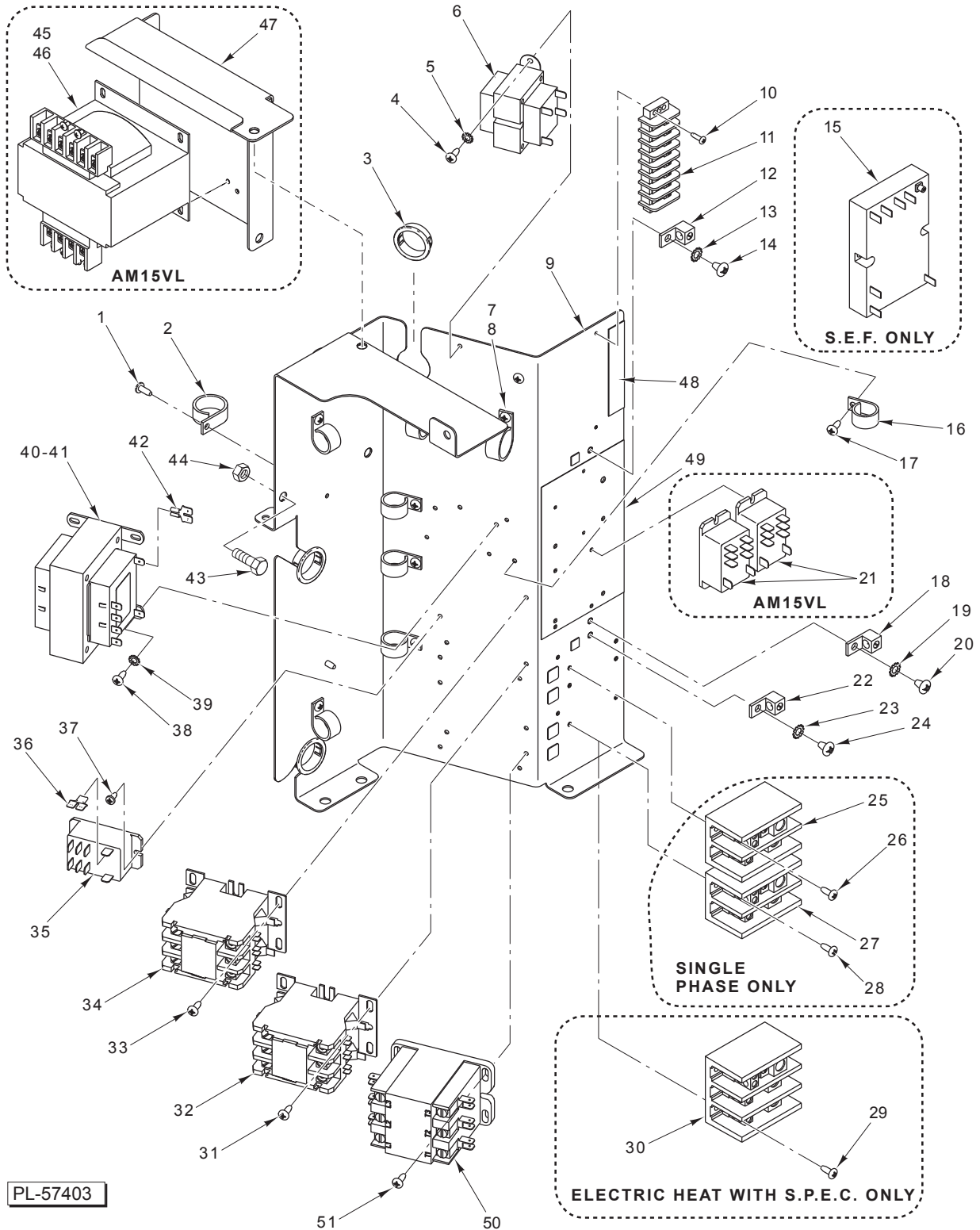


PL-57404

CONTROLS

CONTROLS

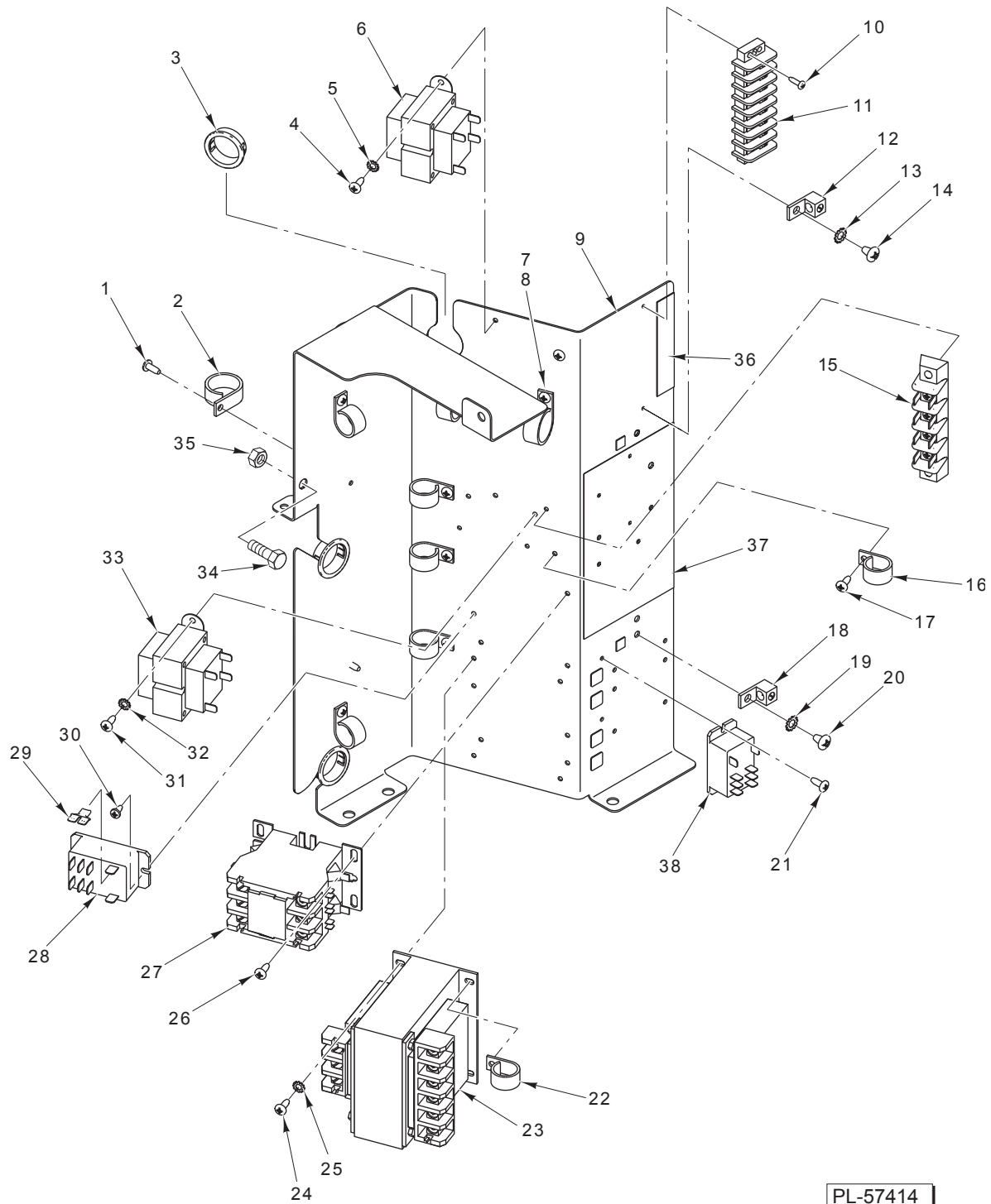
ILLUS.	PART NO.	NAME OF PART	AMT.
PL-57404			
1	00-893113	Switch – Membrane Keypad.....	1
2	00-893040	Bezel – Display Weldment.....	1
3	00-526454	Tape – Foam.....	AR
4	00-892458	Module – Display.....	1
5	00-294677-00003	Clamp – Wire.....	1
6	NS-047-94	Lock Nut ³ / ₁₆ Washer Type.....	1
7	00-294677-00003	Clamp – Wire.....	1
8	NS-011-18	Nut 10-24 Hex.....	1
9	NS-031-16	Stop Nut 10-24 Hex.....	1
10	00-892720-00002	Standoff.....	2
11	00-892932	Board – Control Assy.....	1
12	NS-031-50	Stop Nut 6-32 Hex.....	2
13	00-892720-00002	Standoff.....	2
14	00-892934-00001	Board – Relay Assy. (AM15, AM15T, & AM15F).....	1
15	00-892934-00001	Board – Relay Assy. (AM15VL, AM15VLT, & AM15VLF).....	1
16	NS-031-50	Stop Nut 6-32 Hex.....	2
17	FE-022-29	Fuse (250 V., 1.0 Amp.).....	1
18	FE-026-30	Fuse (250 V., 0.1 Amp.) (AM15, AM15T, & AM15F).....	1
19	FE-019-11	Fuse (250 V., 0.3 Amp.) (AM15VL, AM15VLT, & AM15VLF).....	1
20	00-118349-00007	Standoff – Reed Board (Relay Board).....	2
21	00-118349-00007	Standoff – Reed Board (Control Board).....	2
22	NS-047-94	Lock Nut ³ / ₁₆ Washer Type.....	4
23	00-294677-00003	Clamp – Wire.....	4
24	00-893642	Plate (Patent Numbers).....	1
25	0F-035324	Label – Warning (Fuse) (Electric Heat).....	1
26	0F-035373	Label – Warning (Fuse) (Gas Heat).....	1
27	00-438131-00060	Label – Warning (With Electric Booster).....	1
28	00-438131-00042	Label – Warning (With Gas Heat, With Electric Booster S.P.E.C., or Without Electric Booster).....	1
29	0F-035331	Label (Error Code).....	1
30	00-438131-00175	Label – Instruction.....	1
31	00-941234	Label – Instruction (Ventless) (AM15VL, AM15VLT, & AM15VLF).....	1
32	00-892793-00002	Ribbon Cable Assy.....	1
	00-893447	Harness – Sensor Assy. (AM15, AM15T, & AM15F).....	1
	00-893448	Harness – Relay Board Assy. (AM15, AM15T, & AM15F).....	1
	00-893125	Cable – Rinse Thermistor (AM15, AM15T, & AM15F).....	1
	00-893126-00001	Cable – Rinse Valve (Without Electric Booster) (Incls. Din Connector) (AM15, AM15T, & AM15F).....	1
	00-893126-00002	Cable – Rinse Valve (With Electric Booster) (Incls. Din Connector) (AM15, AM15T, & AM15F).....	1
	00-941222	Cable Assy. – Rinse Thermistor (AM15VL, AM15VLT, & AM15VLF).....	1
	00-941170	Cable Assy. – Fan/Cold Water Valve (AM15VL, AM15VLT, & AM15VLF).....	1
	00-893126-00003	Cable Assy. – Rinse Valve (With Booster) (AM15VL, AM15VLT, & AM15VLF).....	1
	00-941173	Cable Assy. – Cold Water Valve (AM15VL, AM15VLT, & AM15VLF).....	1
	00-941174	Cable Assy. – Light (AM15VL, AM15VLT, & AM15VLF).....	1
	00-941185	Harness – High Voltage (AM15VL, AM15VLT, & AM15VLF).....	1
	00-941186	Harness – Low Voltage (AM15VL, AM15VLT, & AM15VLF).....	1



CONTROL BOX (ELECTRIC HEAT)

CONTROL BOX (ELECTRIC HEAT)

ILLUS. PL-57403	PART NO.	NAME OF PART	AMT.
1	SD-008-25	Self-Tapping Screw 10-16 x 1/2 Phil. Pan Hd., Type B	3
2	00-294677-00004	Clamp – Wire	3
3	FE-026-29	Bushing – Snap (Electrical)	3
4	SD-008-25	Self-Tapping Screw 10-16 x 1/2 Phil. Pan Hd., Type B	2
5	WL-014-07	Lockwasher #10 External	2
6	00-294500-00051	Transformer (T2) (30 VA, 50/60 Hz.)	1
7	SD-008-25	Self-Tapping Screw 10-16 x 1/2 Phil. Pan Hd., Type B	2
8	00-294677-00004	Clamp – Wire	2
9	00-893651	Box – Control	1
10	SD-019-29	Self-Tapping Screw 6-20 x 1/2 Phil. Pan Hd., Type B	2
11	00-893065	Block – Terminal (Double Row)	1
12	00-118544-00002	Lug – Solderless	1
13	WL-007-15	Lockwasher 1/4 External	1
14	SD-035-77	Self-Tapping Screw 1/4-20 x 3/8 Phil. Pan Hd., Type TT	1
15	00-814247	Microcontroller – Final Rinse Alarm (S.E.F. Only)	1
16	00-294677-00003	Clamp – Wire	6
17	SD-008-25	Self-Tapping Screw 10-16 x 1/2 Phil. Pan Hd., Type B	6
18	00-118544-00002	Lug – Solderless (Electric Booster)	1
19	WL-007-15	Lockwasher 1/4 External (Electric Booster)	1
20	SD-035-77	Self-Tapping Screw 1/4-20 x 3/8 Phil. Pan Hd., Type TT (Electric Booster)	1
21	00-087714-046-1	Relay (30 Amp., 2-Pole) (AM15VL)	2
22	00-118544-00002	Lug – Solderless	1
23	WL-007-15	Lockwasher 1/4 External	1
24	SD-035-77	Self-Tapping Screw 1/4-20 x 3/8 Phil. Pan Hd., Type TT	1
25	00-294325-00022	Block – Terminal (1 Ph.)	1
26	SD-008-25	Self-Tapping Screw 10-16 x 1/2 Phil. Pan Hd., Type B (1 Ph.)	2
27	00-294325-00022	Block – Terminal (Electric Booster) (1 Ph.)	1
28	SD-008-25	Self-Tapping Screw 10-16 x 1/2 Phil. Pan Hd., Type B (Electric Booster) (1 Ph.)	2
29	SD-008-25	Self-Tapping Screw 10-16 x 1/2 Phil. Pan Hd., Type B (Electric Heat With S.P.E.C.)	4
30	00-119031	Block – Terminal (Electric Heat With S.P.E.C.)	1
31	SD-008-25	Self-Tapping Screw 10-16 x 1/2 Phil. Pan Hd., Type B	2
32	00-087713-108-1	Contactactor (25 Amp., 3-Pole)	1
33	SD-008-25	Self-Tapping Screw 10-16 x 1/2 Phil. Pan Hd., Type B	2
34	00-087713-108-1	Contactactor (25 Amp., 3-Pole)	1
35	00-087714-046-1	Relay (30 Amp., 2-Pole)	1
36	FE-026-26	Adapter – Electrical	1
37	SD-008-18	Self-Tapping Screw 8-18 x 3/8 Phil. Bndg. Hd., Type B	2
38	SD-008-25	Self-Tapping Screw 10-16 x 1/2 Phil. Pan Hd., Type B	4
39	WL-014-07	Lockwasher #10 External	4
40	00-294500-052-1	Transformer (T1) (208/240/480 V., 50/60 Hz.)	1
41	00-294500-052-2	Transformer (T1) (380/415 V., 50/60 Hz.)	1
42	FE-026-26	Adapter – Electrical	1
43	SC-041-14	Cap Screw 5/16-18 x 1 1/8 Hex Hd.	4
44	NS-036-19	Stop 5/16-18 Nut Hex	4
45	00-294500-046-1	Transformer (480 V.) (AM15VL)	1
46	FE-023-25	Fuse (250 V., 5 Amp.)	1
47	00-941201	Bracket – High Voltage Transformer	1
48	0F-035319	Label – Terminal Block	1
49	0F-044182	Label – Electric Ampacity	1
50	00-087713-041-2	Contactactor (40 Amp., 3-Pole, 120 V.) (Electric Booster With S.P.E.C.)	1
51	SD-008-25	Self-Tapping Screw 10-16 x 1/2 Phil. Pan Hd., Type B	2
	00-918322	Contactactor (40 Amp., 3-Pole)	1

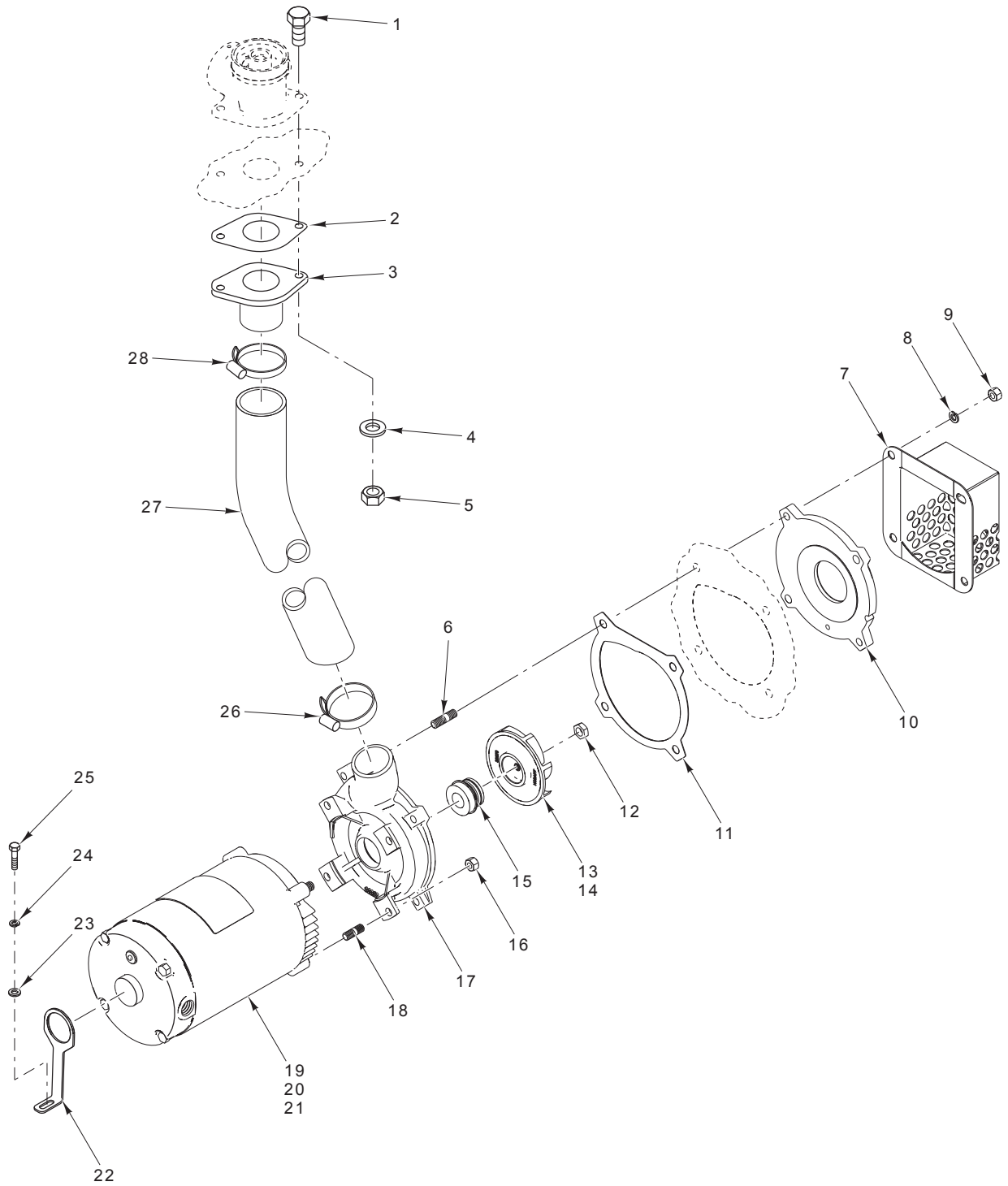


PL-57414

CONTROL BOX (GAS HEAT)
(ML-130038, ML-130039, & ML-130045)

CONTROL BOX (GAS HEAT)
(ML-130038, ML-130039, & ML-130045)

ILLUS. PL-57414	PART NO.	NAME OF PART	AMT.
1	SD-008-25	Self-Tapping Screw 10-16 x 1/2 Phil. Pan Hd., Type B	3
2	00-294677-00004	Clamp – Wire	3
3	FE-026-29	Bushing – Snap (Electrical)	3
4	SD-008-25	Self-Tapping Screw 10-16 x 1/2 Phil. Pan Hd., Type B	2
5	WL-014-07	Lockwasher #10 External	2
6	00-294500-00051	Transformer (T2) (30 VA, 50/60 Hz.)	1
7	SD-008-25	Self-Tapping Screw 10-16 x 1/2 Phil. Pan Hd., Type B	2
8	00-294677-00004	Clamp – Wire	2
9	00-893651	Box – Control	1
10	SD-019-29	Self-Tapping Screw 6-20 x 1/2 Phil. Pan Hd., Type B	2
11	00-893065	Block – Terminal (Double Row).....	1
12	00-118544-00002	Lug – Solderless	1
13	WL-007-15	Lockwasher 1/4 External	1
14	SD-035-77	Self-Tapping Screw 1/4-20 x 3/8 Phil. Pan Hd., Type TT	1
15	00-294325-00023	Block – Terminal (Single Row).....	1
16	00-294677-00003	Clamp – Wire	6
17	SD-008-25	Self-Tapping Screw 10-16 x 1/2 Phil. Pan Hd., Type B	6
18	00-118544-00002	Lug – Solderless	1
19	WL-007-15	Lockwasher 1/4 External	1
20	SD-035-77	Self-Tapping Screw 1/4-20 x 3/8 Phil. Pan Hd., Type TT	1
21	SD-008-18	Self-Tapping Screw 8-18 x 3/8 Phil. Bndg. Hd., Type B	2
22	00-294677-00003	Clamp – Wire	2
23	00-294500-046-2	Transformer (T1) (300 VA, 50/60 Hz.)	1
24	SD-008-25	Self-Tapping Screw 10-16 x 1/2 Phil. Pan Hd., Type B	4
25	WL-014-07	Lockwasher #10 External	4
26	SD-008-25	Self-Tapping Screw 10-16 x 1/2 Phil. Pan Hd., Type B	2
27	00-087713-108-1	Contactorm (25 Amp., 3-Pole)	1
28	00-087714-046-1	Relay (30 Amp., 2-Pole).....	1
29	FE-026-26	Adapter – Electrical.....	1
30	SD-008-18	Self-Tapping Screw 8-18 x 3/8 Phil. Bndg. Hd., Type B	2
31	SD-008-25	Self-Tapping Screw 10-16 x 1/2 Phil. Pan Hd., Type B	2
32	WL-014-07	Lockwasher #10 External	2
33	00-294500-040-1	Transformer (30 VA, 50/60 Hz.).....	1
34	SC-041-14	Cap Screw 5/16-18 x 1 1/8 Hex Hd.....	4
35	NS-036-19	Stop 5/16-18 Nut Hex.....	4
36	0F-035319	Label – Terminal Block.....	1
37	0F-044182	Label – Electric Ampacity.....	1
38	00-087714-046-1	Relay (30 Amp., 2-Pole).....	1
	00-893874	Harness – Gas Heat	1

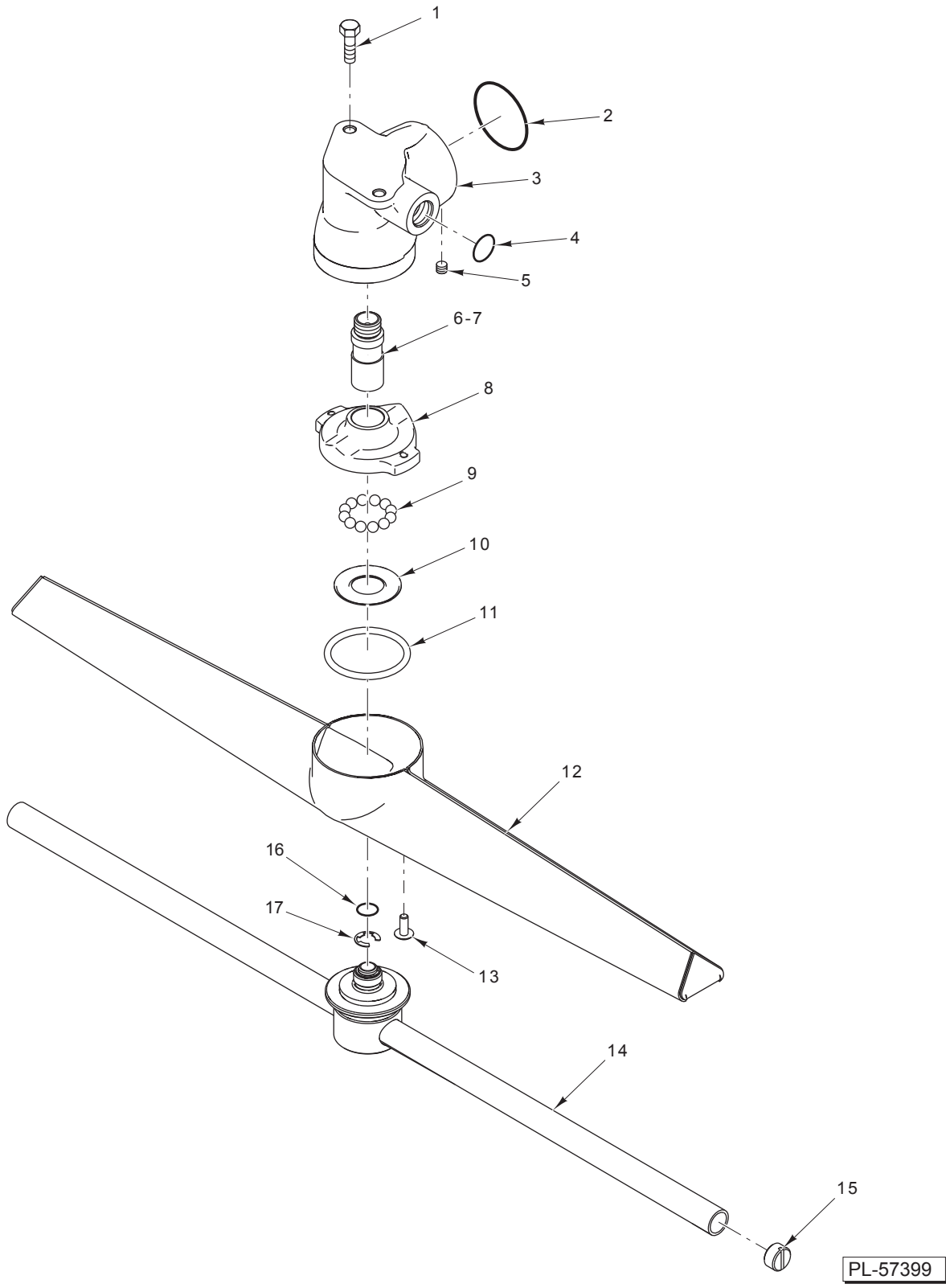


PL-57402

MOTOR AND PUMP

MOTOR AND PUMP

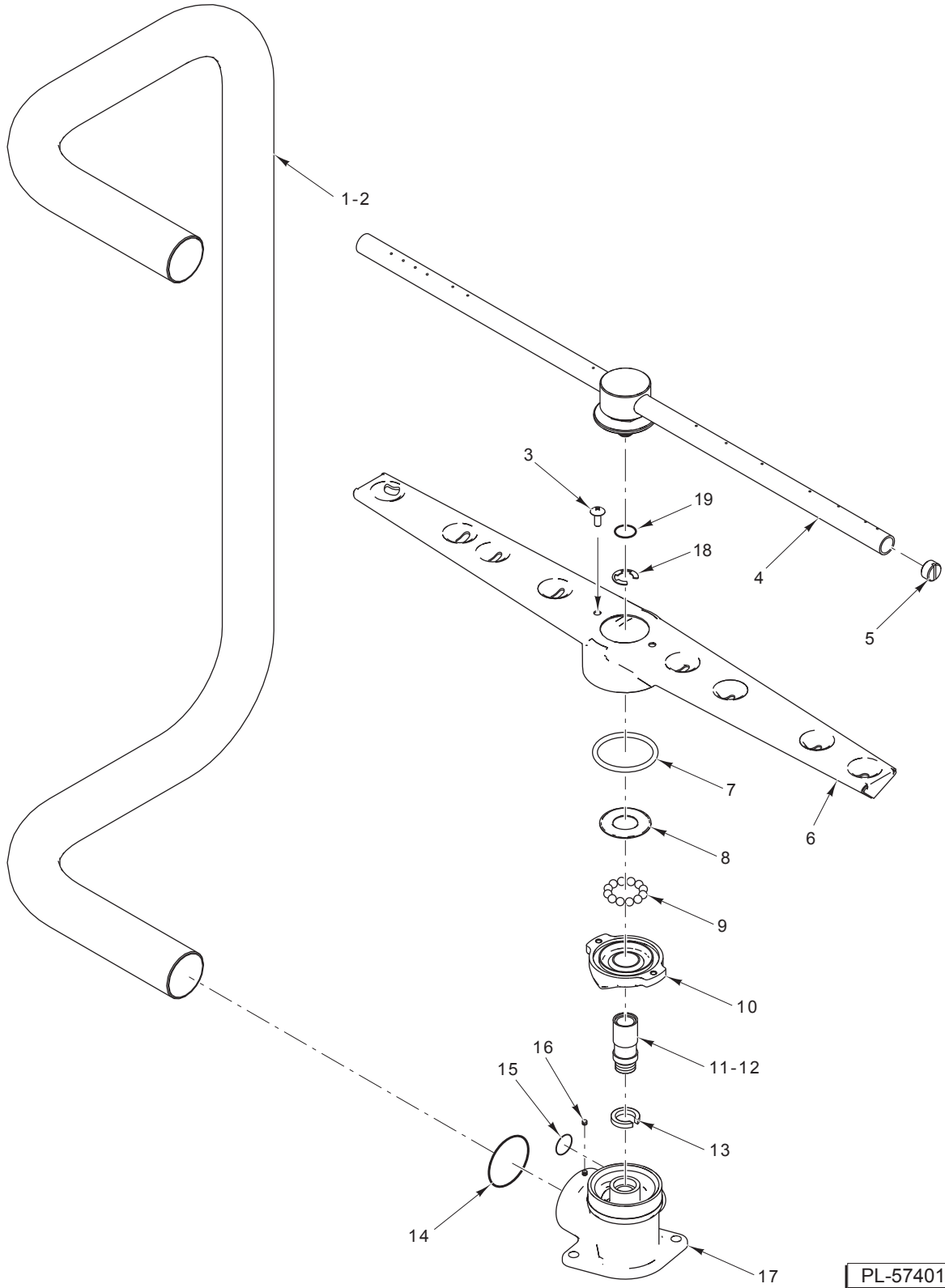
ILLUS.	PART NO.	NAME OF PART	AMT.
PL-57402			
1	SC-041-14	Cap Screw $\frac{5}{16}$ -18 x $1\frac{1}{8}$ Hex Hd.....	2
2	00-893103	Gasket – Adapter	1
3	00-893102-00001	Adapter – Pump-to-Manifold.....	1
4	WS-017-01	Washer.....	2
5	NS-036-19	Stop Nut $\frac{5}{16}$ -18 Hex.....	2
6	00-893039-00006	Stud $\frac{3}{8}$ -16 x $1\frac{5}{8}$	4
7	00-893063	Screen – Pump	1
8	WL-006-28	Lockwasher $\frac{3}{8}$ Helical.....	4
9	00-893039-00012	Nut $\frac{3}{8}$ -16 Hex	4
10	00-893039-00005	Face – Pump Inside.....	1
11	00-893039-00004	Gasket – Pump-to-Tank	1
12	00-893039-00003	Jam Nut $\frac{7}{16}$ -20 Hex	1
13	00-893039-00002	Impeller (60 Hz.)	1
14	00-893039-00011	Impeller (50 Hz.)	1
15	00-274227-00006	Seal – Shaft	1
16	00-893039-00012	Nut $\frac{3}{8}$ -16 Hex	4
17	00-893039-00001	Involute	1
18	00-893039-00007	Stud $\frac{3}{8}$ -16 x $1\frac{1}{8}$	4
19	00-893039-00008	Motor (208-240/480 V., 60 Hz., 3 Ph.)	1
20	00-893039-00009	Motor (208-240 V., 60 Hz., 1 Ph.)	1
21	00-893039-00010	Motor (240/380 V., 50 Hz., 3 Ph.)	1
22	00-893035	Brace – Pump	1
23	WS-017-01	Washer.....	1
24	WL-006-23	Lockwasher $\frac{5}{16}$ Helical	1
25	SC-041-11	Cap Screw $\frac{5}{16}$ -18 x $\frac{3}{4}$ Hex Hd.	1
26	00-542337	Clamp – Hose	1
27	00-893024	Hose – Discharge	1
28	00-542337	Clamp – Hose	1



UPPER WASH ARM

UPPER WASH ARM

ILLUS. PL-57399	PART NO.	NAME OF PART	AMT.
1	SC-125-20	Cap Screw ⁵ / ₁₆ -18 x ³ / ₈ Hex Hd.	2
2	00-067500-00110	O-Ring	1
3	00-893031	Manifold – Wash (Upper)	1
4	00-067500-00117	O-Ring	1
5	SC-055-01	Set Screw 10-24 x ¹ / ₄ Hex Hdls., Cup Pt.....	1
6	00-893052	Shaft – Rinse Arm (AM15, AM15T, & AM15F)	1
7	00-893052-00002	Shaft – Rinse Arm (AM15VL, AM15VLT, & AM15VLT).....	1
8	00-893033	Hub – Wash Arm	1
9	BA-002-40	Ball	13
10	00-286947	Retainer – Ball	1
11	00-067500-00019	O-Ring	1
12	00-893007	Arm – Wash	1
13	SC-066-06	Mach. Screw 10-24 x ¹ / ₂ Phil. Truss Hd.	2
14	00-893093-00001	Arm – Rinse (Incls. Item 15)	1
15	00-893093-00002	Plug – Rinse Arm	2
16	00-067500-00147	O-Ring	1
17	RR-011-98	Retaining Ring	1
	00-893008	Wash Arm Assy. (Incls. Items 8 thru 13)	1

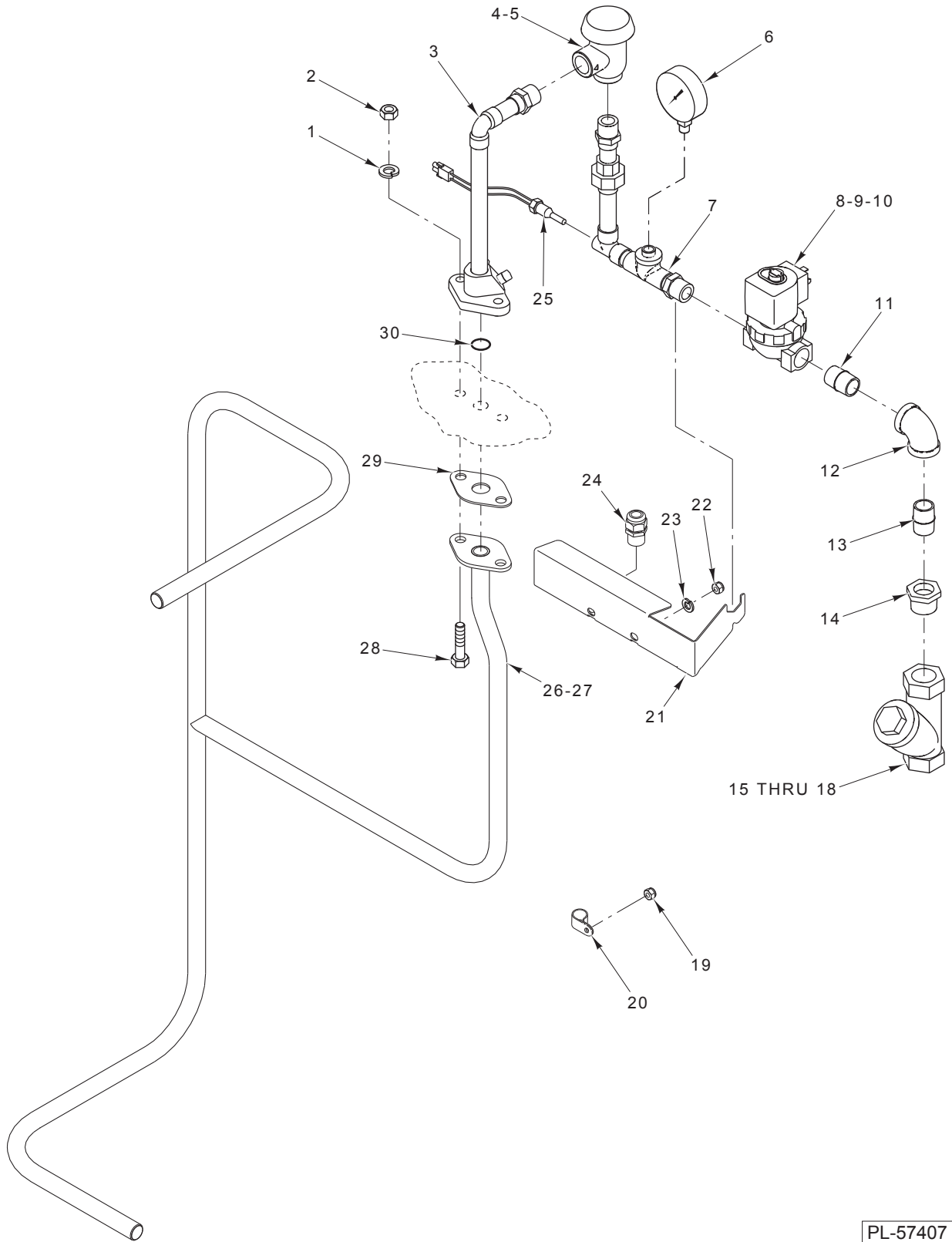


PL-57401

LOWER WASH ARM

LOWER WASH ARM

ILLUS. PL-57401	PART NO.	NAME OF PART	AMT.
1	00-893032	Tube – Wash (AM15).....	1
2	00-893032-00002	Tube – Wash (AM15T & AM15F).....	1
3	SC-066-06	Mach. Screw 10-24 x 1/2 Phil. Truss Hd.	2
4	00-893093-00001	Arm – Rinse (Incls. Item 5)	1
5	00-893093-00002	Plug – Rinse Arm	2
6	00-893007	Arm – Wash	1
7	00-067500-00019	O-Ring	1
8	00-286947	Retainer – Ball	1
9	BA-002-40	Ball	13
10	00-893033	Hub – Wash Arm.....	1
11	00-893052	Shaft – Rinse Arm (AM15, AM15T, & AM15F)	1
12	00-893052-00002	Shaft – Rinse Arm (AM15VL, AM15VLT, AM15VLF).....	1
13	00-893044	Bushing – Wash Arm	1
14	00-067500-00110	O-Ring	1
15	00-067500-00117	O-Ring	1
16	SC-055-01	Set Screw 10-24 x 1/4 Hex Hdls., Cup Pt.....	2
17	00-893030	Manifold – Wash (Lower)	1
18	RR-011-98	Retaining Ring	1
19	00-067500-00147	O-Ring	1
	00-893008	Wash Arm Assy. (Incls. Items 3 & 6 thru 10).....	1

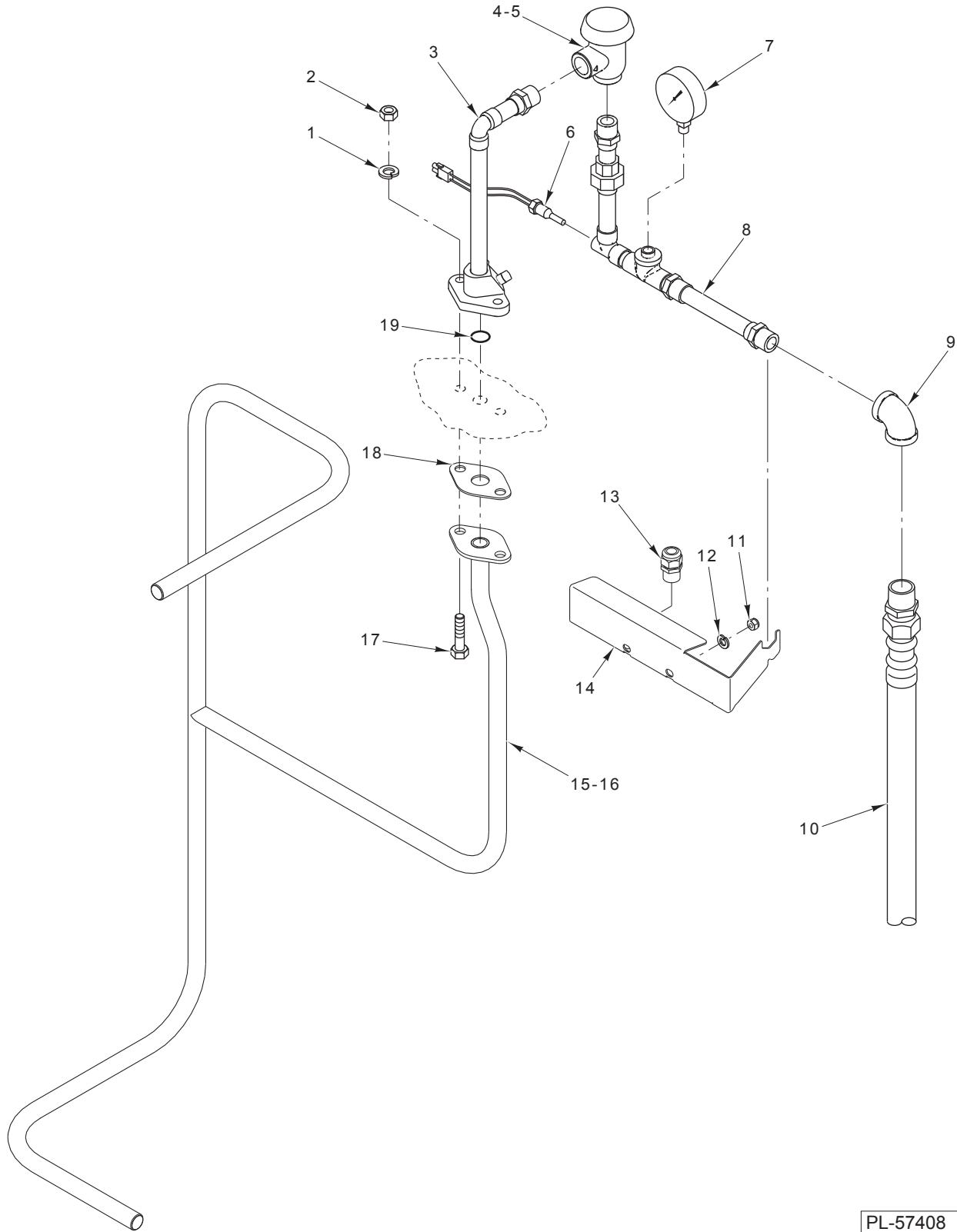


**INSIDE PIPING AND OUTSIDE RINSE PIPING
(WITHOUT BOOSTER AND STEAM CONDENSER)**

PL-57407

**INSIDE PIPING AND OUTSIDE RINSE PIPING
(WITHOUT BOOSTER AND STEAM CONDENSER)**

ILLUS. PL-57407	PART NO.	NAME OF PART	AMT.
1	WL-006-23	Lockwasher ⁵ / ₁₆ Helical	2
2	NS-036-19	Stop Nut ⁵ / ₁₆ -18 Hex	2
3	00-893054	Piping – Fill	1
4	00-292909	Breaker – Vacuum	1
5	00-292910	Kit – Vacuum Breaker	1
6	00-918460	Gauge – Water Pressure	1
7	00-893058	Fill Piping Assy.	1
8	00-893100-00001	Valve – Solenoid (¹ / ₂ In.) (120 V.)	1
9	00-892132	Coil – Solenoid Valve (120 V.)	1
10	00-893101	Kit – Solenoid Valve	1
11	FP-040-44	Pipe ¹ / ₂ x 1 ³ / ₈ TBE (Brass).....	1
12	FP-015-17	Elbow – Pipe ¹ / ₂ x 90 Deg. (Brass).....	1
13	FP-054-36	Pipe ¹ / ₂ x 2.0 TBE (Brass).....	1
14	FP-027-22	Bushing – Pipe ³ / ₄ to ¹ / ₂ (Brass)	1
15	00-186922	Strainer – Line (³ / ₄ In.) (Brass).....	1
16	00-186923	Plug – Branch	1
17	00-186925	Screen – Line Strainer	1
18	00-186924	Gasket – Branch Plug	1
19	NS-047-94	Lock Nut ³ / ₁₆ Washer Type	1
20	00-294677-00004	Clamp – Wire	1
21	00-893053	Bracket – Fill Piping	1
22	NS-015-11	Nut ⁵ / ₁₆ -18 Hex	2
23	WL-006-23	Lockwasher ⁵ / ₁₆ Helical	2
24	FE-022-84	Strain Relief	2
25	00-328994	Probe Assy. – Rinse	1
26	00-893038-00001	Inside Rinse Piping Assy. (AM15).....	1
27	00-893038-00004	Inside Rinse Piping Assy. (AM15T & AM15F).....	1
28	SC-041-12	Cap Screw ⁵ / ₁₆ -18 x ⁷ / ₈ Hex Hd.	2
29	00-276407	Gasket	1
30	00-067500-00012	O-Ring	1

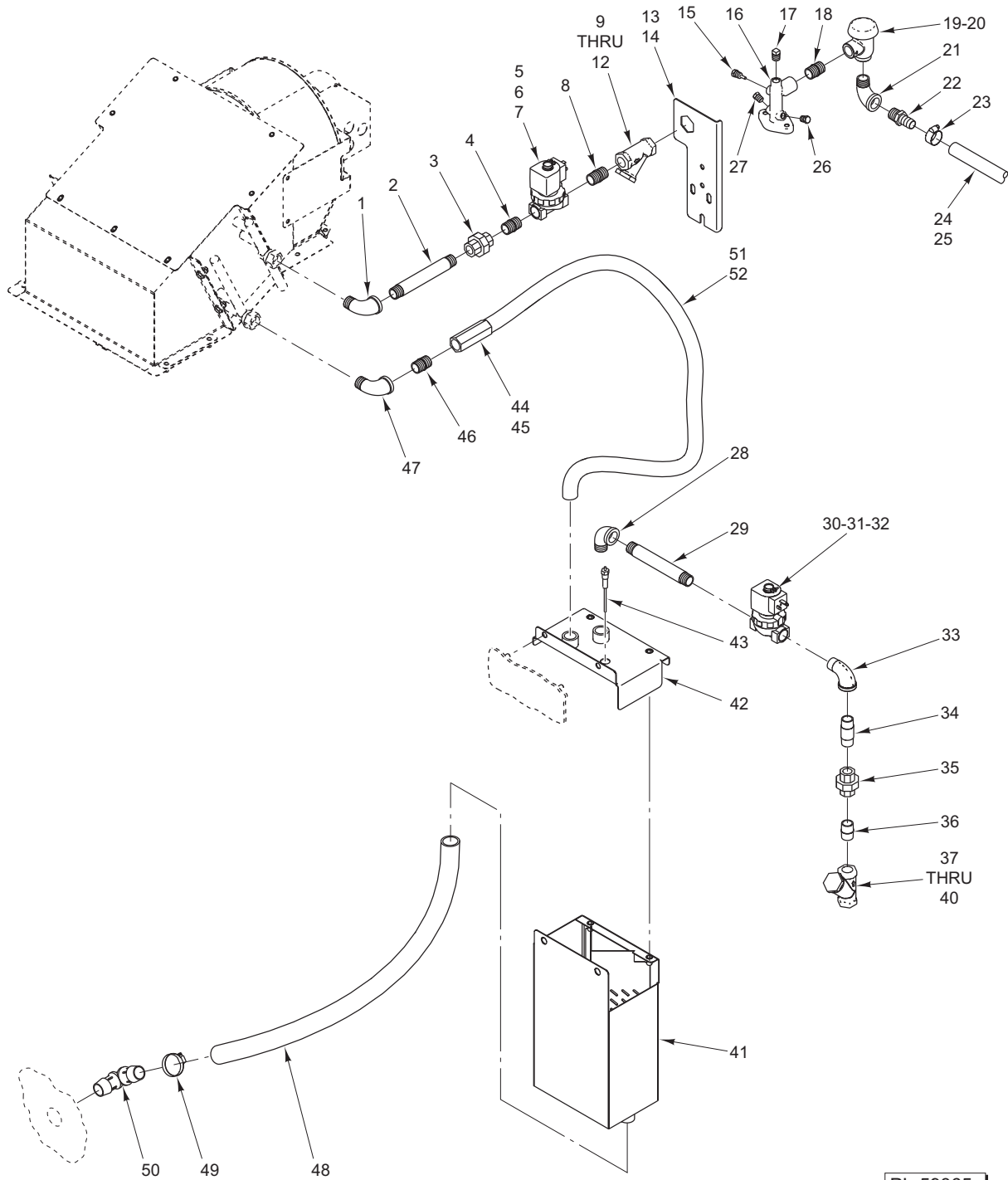


**INSIDE PIPING AND OUTSIDE RINSE PIPING
(WITH BOOSTER AND WITHOUT STEAM CONDENSER)**

PL-57408

**INSIDE PIPING AND OUTSIDE RINSE PIPING
(WITH BOOSTER AND WITHOUT STEAM CONDENSER)**

ILLUS. PL-57408	PART NO.	NAME OF PART	AMT.
1	WL-006-23	Lockwasher ⁵ / ₁₆ Helical	2
2	NS-036-19	Stop Nut ⁵ / ₁₆ -18 Hex.....	2
3	00-893054	Piping – Fill	1
4	00-292909	Breaker – Vacuum	1
5	00-292910	Kit – Vacuum Breaker.....	1
6	00-328994	Probe Assy. – Rinse.....	1
7	00-918460	Gauge – Water Pressure	1
8	00-893059	Fill Piping Assy.	1
9	FP-015-16	Elbow – Pipe ¹ / ₂ x 90 Deg. (Brass).....	1
10	00-893444-00002	Hose – Water ¹ / ₂ x 84 In. Braided (SST).....	1
11	NS-015-11	Nut ⁵ / ₁₆ -18 Hex	2
12	WL-006-23	Lockwasher ⁵ / ₁₆ Helical	2
13	FE-022-84	Strain Relief	1
14	00-893053	Bracket – Fill Piping	1
15	00-893038-00001	Inside Rinse Piping Assy. (AM15).....	1
16	00-893038-00004	Inside Rinse Piping Assy. (AM15T & AM15F).....	1
17	SC-041-12	Cap Screw ⁵ / ₁₆ -18 x ⁷ / ₈ Hex Hd.	2
18	00-276407	Gasket	1
19	00-067500-00012	O-Ring	1

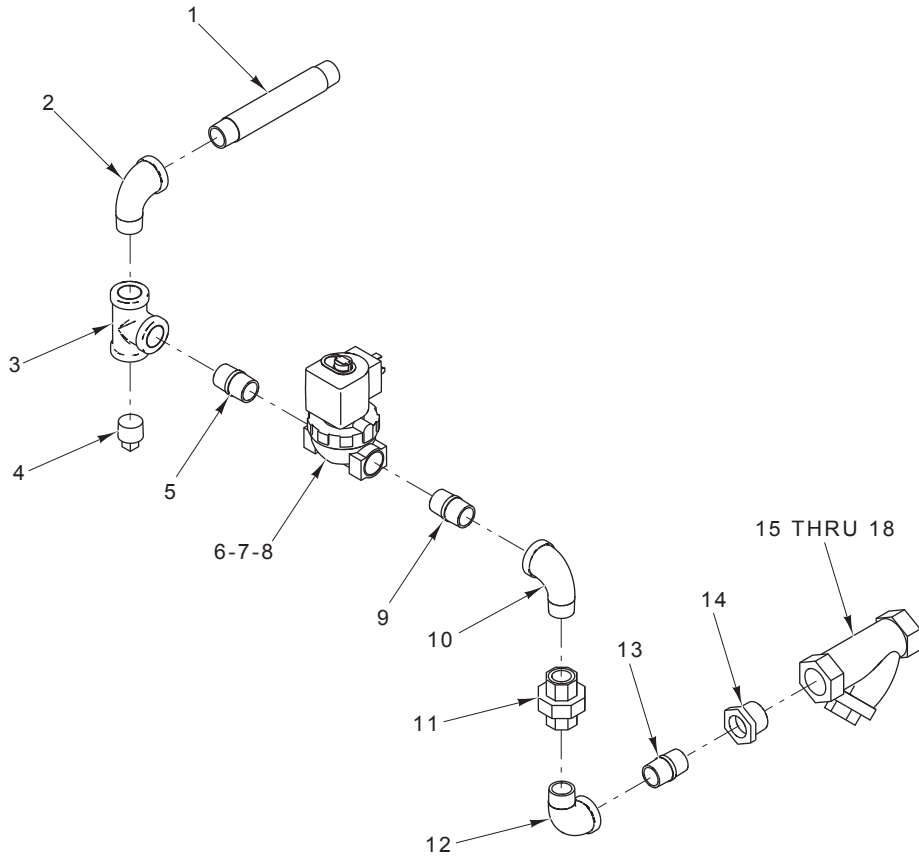


PL-59365

OUTSIDE PIPING WITH STEAM CONDENSER

OUTSIDE PIPING WITH STEAM CONDENSER

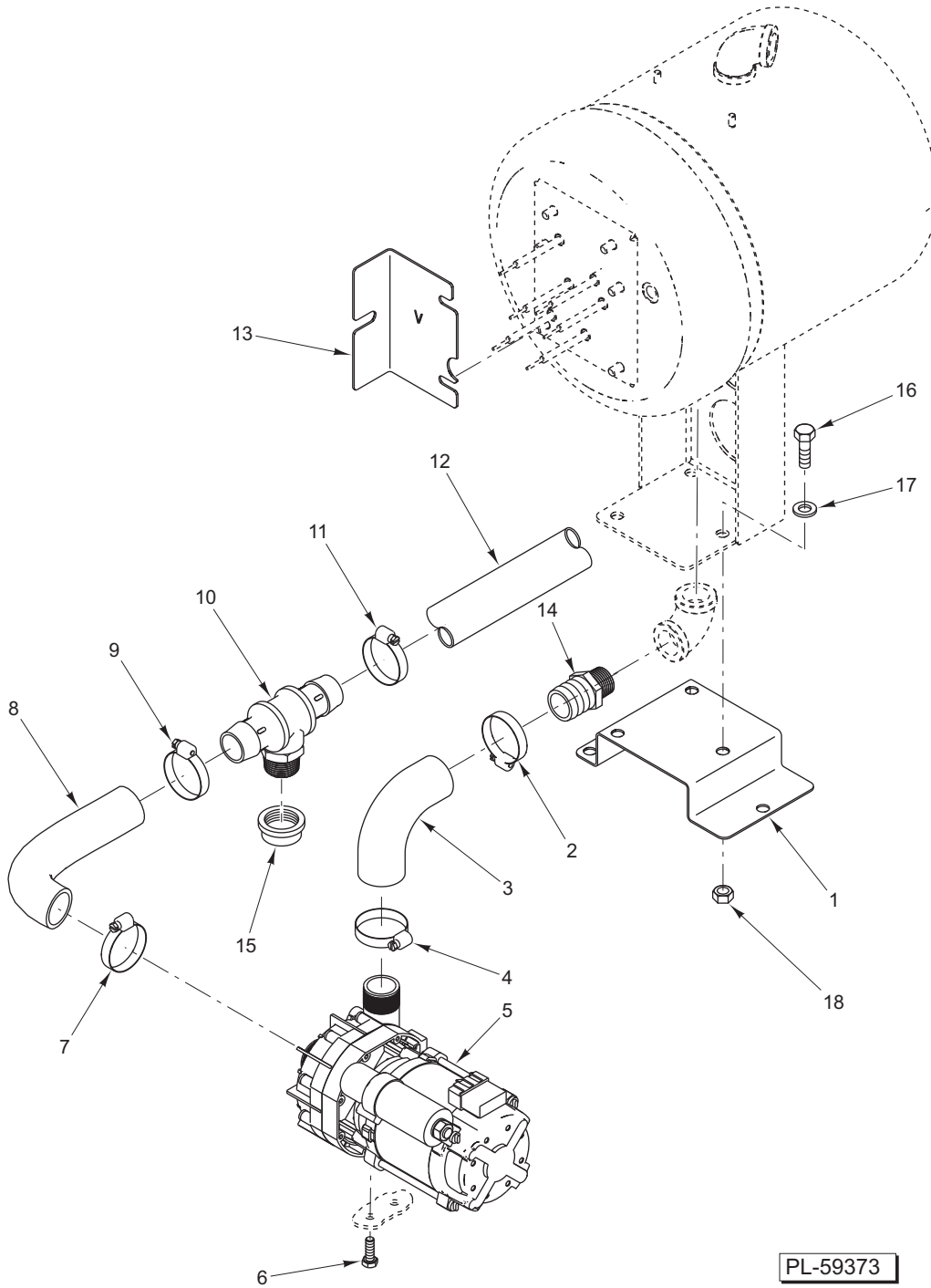
ILLUS.	PART NO.	NAME OF PART	AMT.
	PL-59365		
1	FP-015-17	Elbow – Pipe 1/2 x 90 Deg. (Brass).....	1
2	FP-040-86	Pipe 1/2 x 5 1/2 TBE (Brass).....	1
3	FP-022-12	Pipe – Union (Brass).....	1
4	FP-040-42	Pipe 1/2 x 1 1/8 TBE (Brass).....	1
5	00-893100-00001	Valve – Solenoid (1/2 In.) (120 V.).....	1
6	00-893101	Kit – Water Valve (1/2 In.).....	AR
7	00-892132	Coil – Solenoid Valve (120 V.).....	1
8	FP-040-43	Pipe 1/2 x 1 1/4 TBE (Brass).....	1
9	00-892922	Strainer – Line (1/2 In.) (Brass).....	1
10	00-892922-00001	Cap.....	1
11	00-892922-00002	Gasket.....	1
12	00-892922-00003	Screen.....	1
13	00-941164	Bracket – Condenser.....	1
14	00-941136	Bracket – Ventless Electric.....	1
15	00-328994	Probe Assy. – Rinse.....	1
16	00-919560	Manifold – Rinse Top.....	1
17	FP-028-07	Plug – Pipe (1/4 In.) Square Hd. (Brass).....	1
18	FP-040-42	Pipe 1/2 x 1 1/8 TBE (Brass).....	1
19	00-292909	Breaker – Vacuum.....	1
20	00-292910	Kit – Vacuum Breaker.....	1
21	FP-015-17	Elbow – Pipe 1/2 x 90 Deg. (Brass).....	1
22	FP-087-39	Fitting – Hose 5/8 x 1/2 (Brass).....	2
23	00-528499	Clamp – Hose (SST).....	2
24	00-892244-00009	Hose – Adapta Flex (67 In.) (AM15VL).....	1
25	00-892244-00010	Hose – Adapta Flex (AM15VLT & AM15VLF).....	1
26	00-749123	Plug – Pipe.....	1
27	00-749123	Plug – Pipe.....	1
28	FP-015-17	Elbow – Pipe 1/2 x 90 Deg. (Brass).....	1
29	FP-040-86	Pipe 1/2 x 5 1/2 TBE (Brass).....	1
30	00-893100-00001	Valve – Solenoid (1/2 In.) (120 V.).....	1
31	00-893101	Kit – Water Valve (1/2 In.).....	AR
32	00-892132	Coil – Solenoid Valve (120 V.).....	1
33	FP-015-17	Elbow – Pipe 1/2 x 90 Deg. (Brass).....	1
34	00-941215	Restrictor (1/2 In.).....	1
35	FP-022-12	Pipe – Union (Brass).....	1
36	FP-040-42	Pipe 1/2 x 1 1/8 TBE (Brass).....	1
37	00-892922	Strainer – Line (1/2 In.) (Brass).....	1
38	00-892922-00001	Cap.....	1
39	00-892922-00002	Gasket.....	1
40	00-892922-00003	Screen.....	1
41	00-941100	Tank – Heat Recovery.....	AR
42	00-936997-00001	Tank – Heat Recovery Lid.....	1
43	00-328951-00002	Probe – Ventless Sump Level.....	1
44	00-941239	Restrictor – Flow (1/2 In.).....	1
45	00-941196	Control – Flow.....	1
46	FP-040-42	Pipe 1/2 x 1 1/8 TBE (Brass).....	1
47	FP-015-17	Elbow – Pipe 1/2 x 90 Deg. (Brass).....	1
48	00-936468-00002	Hose – Ventless Intake.....	1
49	00-557627	Clamp – Hose.....	1
50	00-941127	Elbow – Hose (1 In.).....	1
51	00-893444-00009	Hose – Braided Water (1/2 In.) (SST) (AM15VL).....	1
52	00-918390-00007	Hose – Braided Water (1/2 In. x 48 In.) (SST) (AM15VLT & AM15VLF).....	1



BOOSTER PIPING (AM15, AM15T, & AM15F)

BOOSTER PIPING (AM15, AM15T, & AM15F)

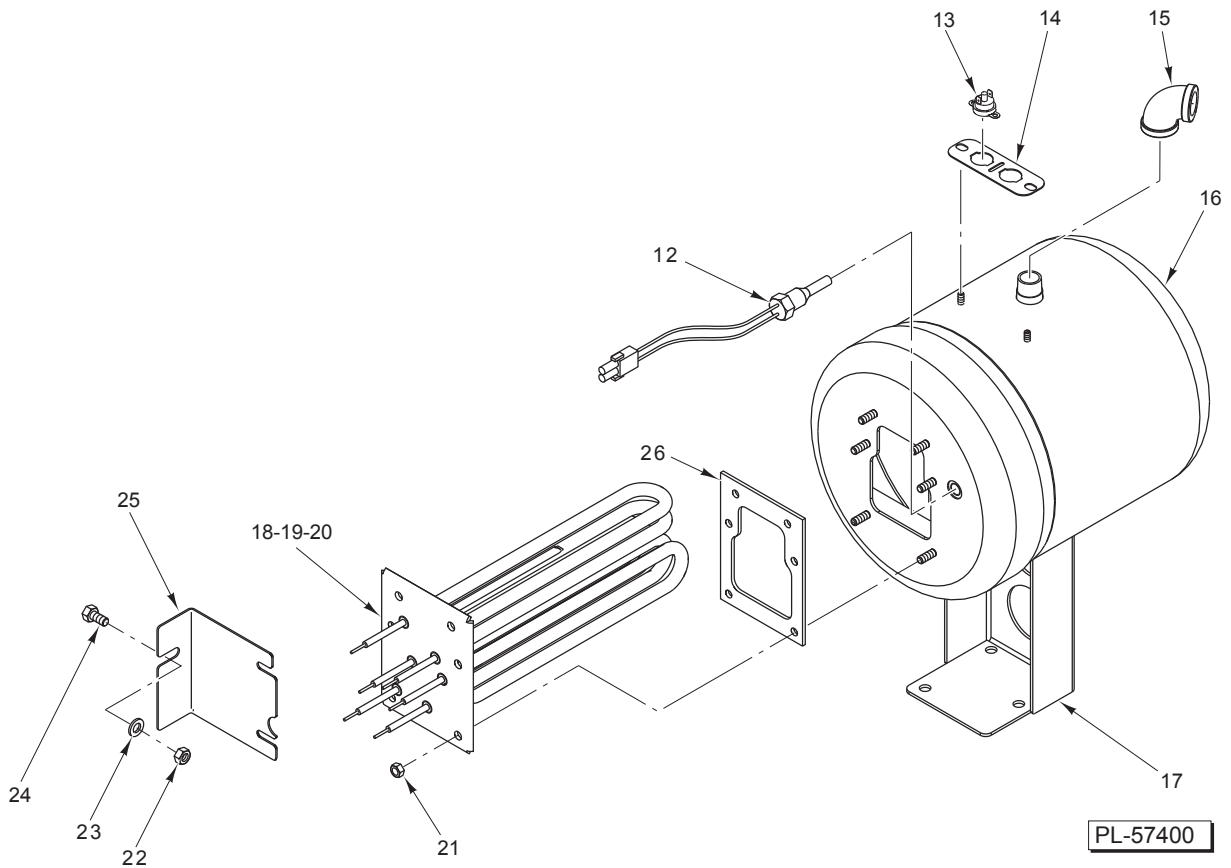
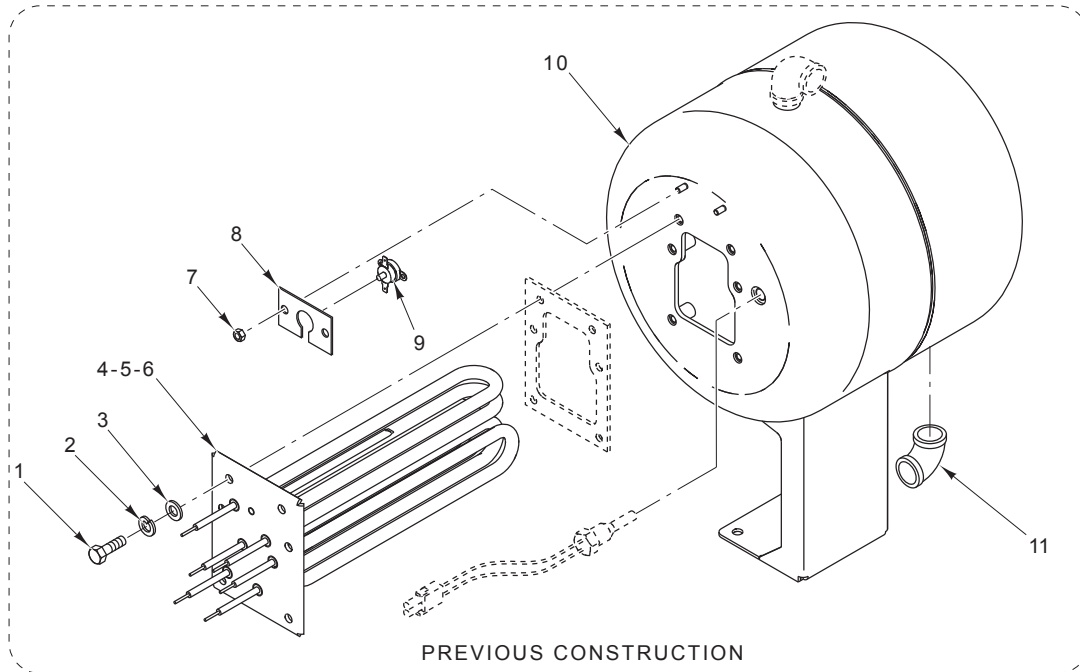
ILLUS.	PART NO.	NAME OF PART	AMT.
PL-59374			
1	FP-040-95	Pipe 1/2 x 7 TBE (Brass).....	1
2	FP-015-17	Elbow – Pipe 1/2 x 90 Deg. (Brass).....	1
3	FP-019-21	Tee – Pipe 1/2 x 1/2 x 1/2 (Brass).....	1
4	FP-028-15	Pipe Plug 1/2 Sq. Hd.	1
5	FP-040-43	Pipe 1/2 x 1 1/4 TBE (Brass).....	1
6	00-893100-00001	Valve – Solenoid (1/2 In.) (120 V.).....	1
7	00-893101	Kit – Water Valve (1/2 In.).....	AR
8	00-892132	Coil – Solenoid Valve (120 V.)	1
9	FP-040-43	Pipe 1/2 x 1 1/4 TBE (Brass).....	1
10	FP-015-17	Elbow – Pipe 1/2 x 90 Deg. (Brass).....	1
11	FP-022-12	Pipe – Union	1
12	FP-015-17	Elbow – Pipe 1/2 x 90 Deg. (Brass).....	1
13	FP-040-43	Pipe 1/2 x 1 1/4 TBE (Brass).....	1
14	FP-027-22	Bushing – Pipe 3/4 to 1/2	1
15	00-186922	Strainer – Line (3/4 In.) (Brass)	1
16	00-186923	Plug – Branch	1
17	00-186925	Screen – Line Strainer	1
18	00-186924	Gasket – Branch Plug.....	1



RINSE PUMP ASSEMBLY (ML-130153, ML-130154, & ML-130155)

RINSE PUMP ASSEMBLY (ML-130153, ML-130154, & ML-130155)

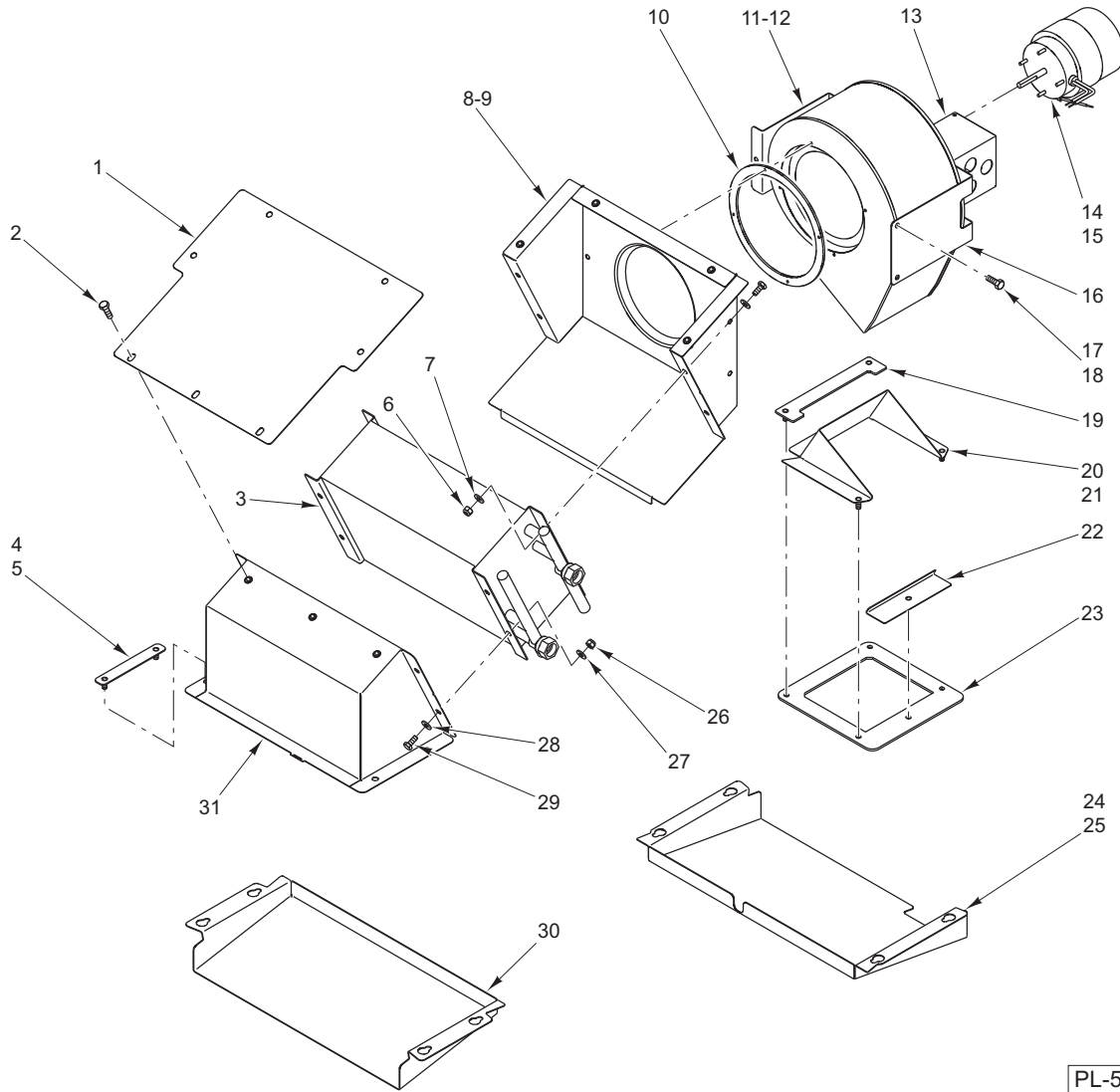
ILLUS. PL-59373	PART NO.	NAME OF PART	AMT.
1	00-941133	Mount – Booster Spacer.....	1
2	00-557627	Clamp – Hose.....	1
3	00-918135-00002	Hose – Pump-to-Booster.....	1
4	00-557627	Clamp – Hose.....	1
5	00-936994	Pump – Rinse (208-240 V., 60 Hz., 1 Ph.).....	1
6	SC-120-48	Cap Screw M6 x 1.0 x 18mm Hex Hd. (SST).....	2
7	00-557627	Clamp – Hose.....	1
8	00-918135	Hose – Drain Pump Inlet.....	1
9	00-557627	Clamp – Hose.....	1
10	00-941172	Tee – Branch (1 In. x 3/4 In.).....	1
11	00-557627	Clamp – Hose.....	2
12	00-936468-00003	Hose (1 In. x 15 In.).....	1
13	00-941148	Bracket – Ventless Booster Support.....	1
14	00-941149	Adapter – Hose (1/2 to 1 In.).....	1
15	FP-029-13	Cap – Pipe (3/4 In.) (Brass).....	1
16	SC-041-11	Cap Screw 5/16-18 x 3/4 Hex Hd. (SST).....	3
17	WS-017-01	Washer.....	3
18	NS-036-19	Stop Nut 5/16-18 Hex.....	3
	00-749123	Plug – Pipe.....	1



ELECTRIC BOOSTER TANK

ELECTRIC BOOSTER TANK

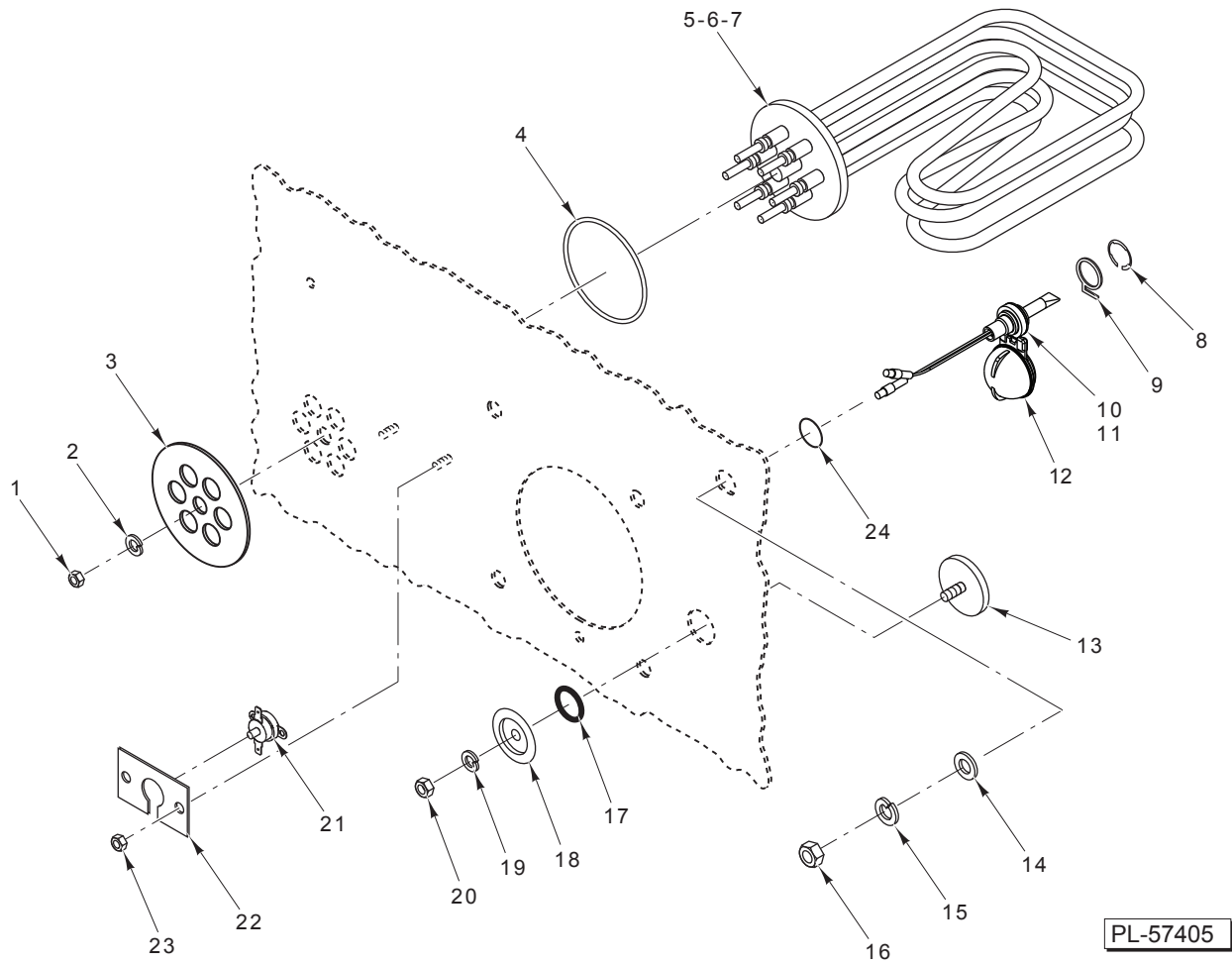
ILLUS.	PART NO.	NAME OF PART	AMT.
	PL-57400		
1	SC-041-01	Cap Screw 1/4-20 x 3/4 Hex Hd. (SST).....	6
2	WL-006-17	Lockwasher 1/4 Medium.....	6
3	WS-017-06	Washer.....	6
4	00-749554-00002	Heater (13kW) (208/240 V.).....	1
5	00-749554-00003	Heater (13kW) (480 V.).....	1
6	00-749554-00004	Heater (13kW) (380 V.).....	1
7	NS-047-86	Stop Nut 1/4-20 Hex (SST).....	2
8	00-475967	Bracket – High Limit.....	1
9	00-294615-00001	Control – Temperature.....	1
10	00-893047	Tank – Weldment.....	1
11	FP-015-16	Elbow – Pipe 1/2 x 90 Deg. (Brass).....	1
12	00-328994	Probe Assy. – Rinse.....	1
13	00-328980-00001	Control – Temperature Limiting (AM15VL, AM15VLT, & AM15VLF).....	1
14	00-936851	Bracket – High Limit.....	1
15	FP-015-16	Elbow – Pipe 1/2 x 90 Deg. (Brass).....	1
16	00-919824	Tank – Booster Weldment.....	1
17	00-936862	Bracket – Booster Mounting.....	1
18	00-936546-00002	Heater (240 V., 8.5 kW).....	1
19	00-936546-00003	Heater (480 V., 8.5 kW) (AM15VL, AM15VLT, & AM15VLF).....	1
20	00-936546-00004	Heater (415 V., 8.5 kW) (AM15VL, AM15VLT, & AM15VLF).....	1
21	NS-014-01	Nut 1/4-20 Hex (Brass).....	6
22	NS-036-19	Stop Nut 5/16-18 Hex.....	1
23	WS-017-01	Washer.....	1
24	SC-041-11	Cap Screw 5/16-18 x 3/4 Hex Hd. (SST).....	1
25	00-936852	Bracket – Booster Support.....	1
26	00-749555	Gasket (Electric Heater).....	1
	00-519504	Lube.....	AR



STEAM CONDENSER

STEAM CONDENSER

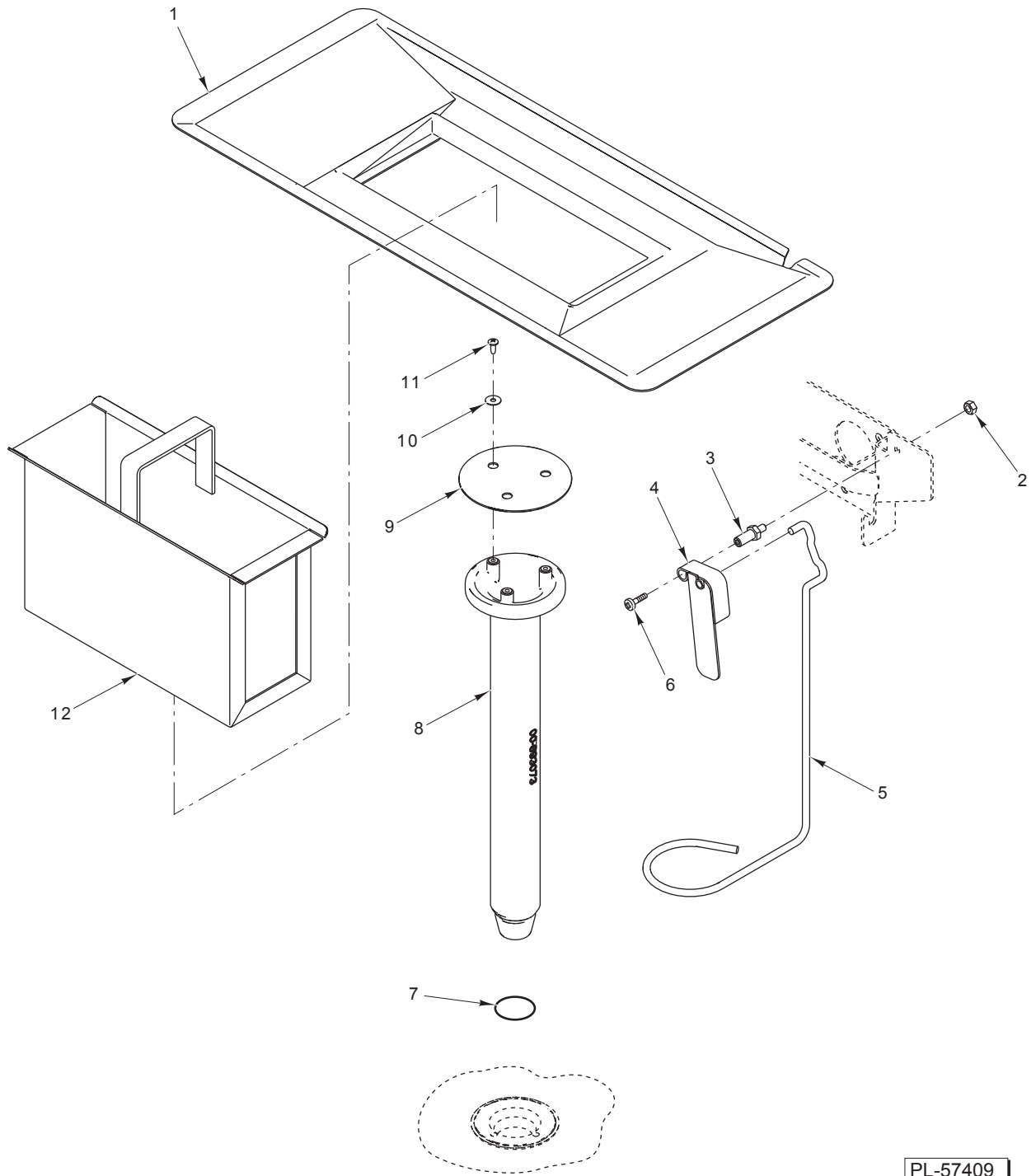
ILLUS.	PART NO.	NAME OF PART	AMT.
	PL-59364		
1	00-941160	Plate – Ventless Top	1
2	SC-041-05	Cap Screw 1/4-20 x 5/8 Hex Hd. (SST)	7
3	00-941113	Coil – Steam Condensing	1
4	00-941188	Bracket – Intake Plenum.....	1
5	NS-047-82	Stop Nut 1/4-20 Hex (SST).....	2
6	NS-047-82	Stop Nut 1/4-20 Hex (SST).....	AR
7	WS-017-06	Washer (SST)	AR
8	00-941159	Mount – Ventless Fan To Coil	1
9	00-526454-00002	Tape – Foam.....	AR
10	00-941197-00001	Gasket – Fan Intake	1
11	00-941200-00002	Housing – Fan	1
12	00-941200-00003	Impeller – Fan.....	1
13	00-941183	Cover – Fan Motor.....	1
14	00-941187	Motor – Fan	1
15	00-941197-00002	Gasket – Motor	1
16	00-941184	Mount – Fan Motor	1
17	SC-041-05	Cap Screw 1/4-20 x 5/8 Hex Hd. (SST)	3
18	NS-047-82	Stop Nut 1/4-20 Hex (SST).....	3
19	00-941232	Plate – Corner Reinforcement	1
20	00-941182	Seal – Fan Mount	1
21	NS-047-82	Stop Nut 1/4-20 Hex (SST).....	5
22	00-941189	Mount – Adjusting Fan	1
23	00-941229	Gasket – Exhaust Fan	1
24	00-941162	Deflector – Ventless Exhaust.....	1
25	NS-047-82	Stop Nut 1/4-20 Hex (SST).....	8
26	NS-047-82	Stop Nut 1/4-20 Hex (SST).....	4
27	WS-017-06	Washer (SST)	4
28	WS-017-06	Washer (SST)	4
29	SC-041-05	Cap Screw 1/4-20 x 5/8 Hex Hd. (SST)	4
30	00-941161	Deflector – Ventless Intake	1
31	00-941163	Plenum – Ventless Intake	1
	00-941119	Shroud –Front.....	1
	00-941176	Box – Light.....	1
	00-941175-00003	Light – Indicator Amber.....	1



LOW WATER PROTECTION AND ELECTRIC HEAT

LOW WATER PROTECTION AND ELECTRIC HEAT

ILLUS.	PART NO.	NAME OF PART	AMT.
PL-57405			
1	NS-014-15	Nut ³ / ₈ -16 Hex (Brass).....	1
2	WL-006-27	Lockwasher ³ / ₈ Helical.....	1
3	00-749798	Plate – Electric Heat	1
4	00-067500-00034	O-Ring	1
5	00-893120-00001	Element – Heater (5 kW) (200-240 V., 50/60 Hz., 1 & 3 Ph.)	1
6	00-893120-00002	Element – Heater (5 kW) (480 V., 60 Hz., 3 Ph.).....	1
7	00-893120-00003	Element – Heater (5 kW) (380-415 V., 50 Hz., 3 Ph.).....	1
8	RR-010-13	Retaining Ring	1
9	00-112467	Retainer – Float.....	1
10	00-271621	Probe & Switch Assy. (4 Wire) (Temperatures & Water Level) (Previous Construction).....	1
11	00-936547-00002	Probe – Float Assy. (Incls. Items 9 & 12) (Current Construction)	1
12	00-122674	Float Assy.....	1
13	00-119244	Cap & Stud Assy.	1
14	WS-010-40	Washer.....	1
15	WL-014-31	Lockwasher ¹ / ₂ External Shakeproof (SST)	1
16	NS-018-28	Jam Nut ¹ / ₂ -20 Hex.....	1
17	00-067500-00031	O-Ring	1
18	00-119254-00002	Retainer – Cap.....	1
19	WL-006-17	Lockwasher ¹ / ₄ Helical.....	1
20	NS-015-01	Nut ¹ / ₄ -20 Hex	1
21	00-294615-00001	Control – Temperature	1
22	00-475967	Bracket – High Limit.....	1
23	NS-031-16	Stop Nut 10-24 Hex	2
24	00-067500-00072	O-Ring	1
	00-186091	Probe & Float Assy. (Incls. Items 8 thru 10 & 12) (Previous Construction).....	1
	00-519504	Lube.....	AR

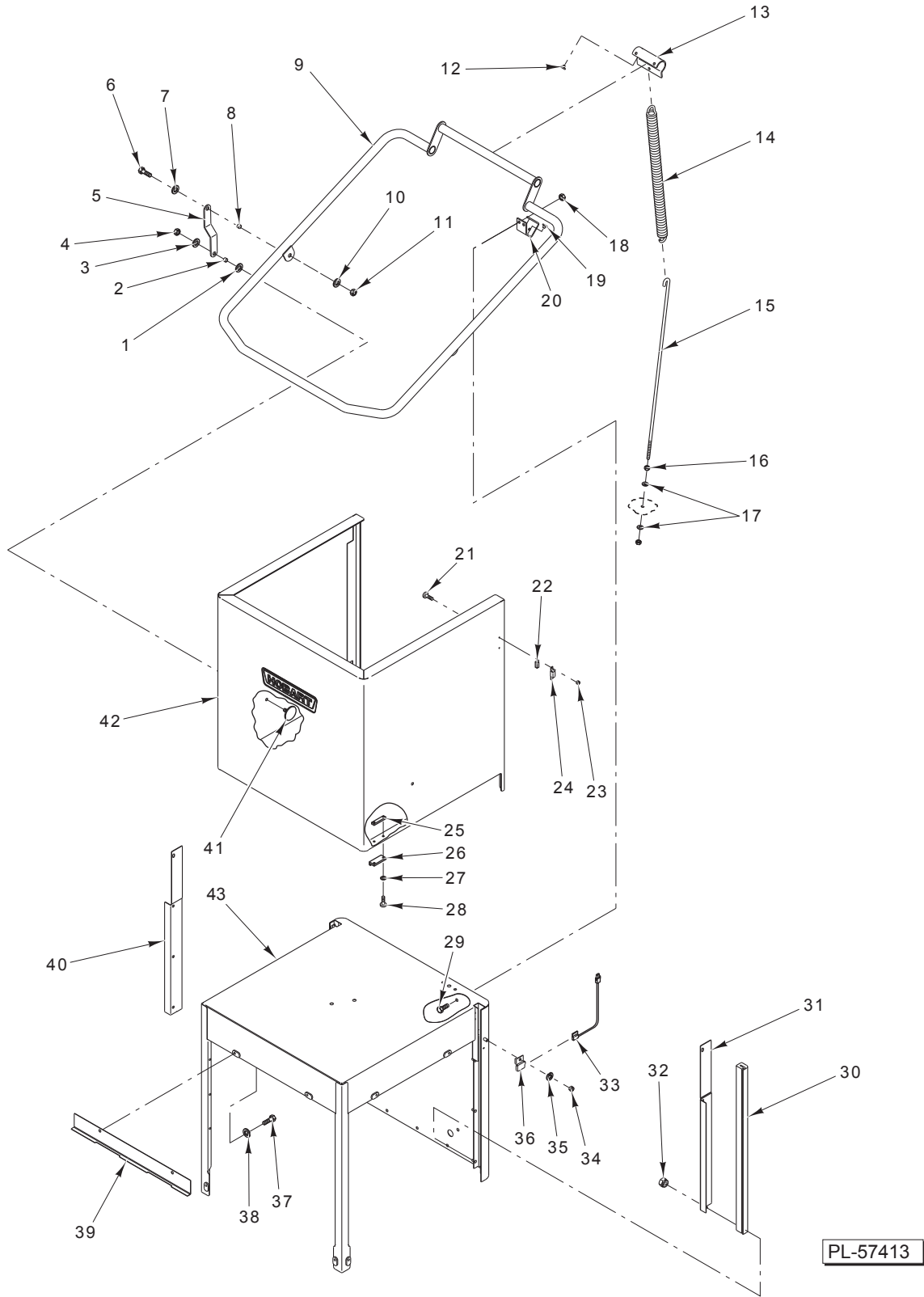


PL-57409

DRAIN UNIT

DRAIN UNIT

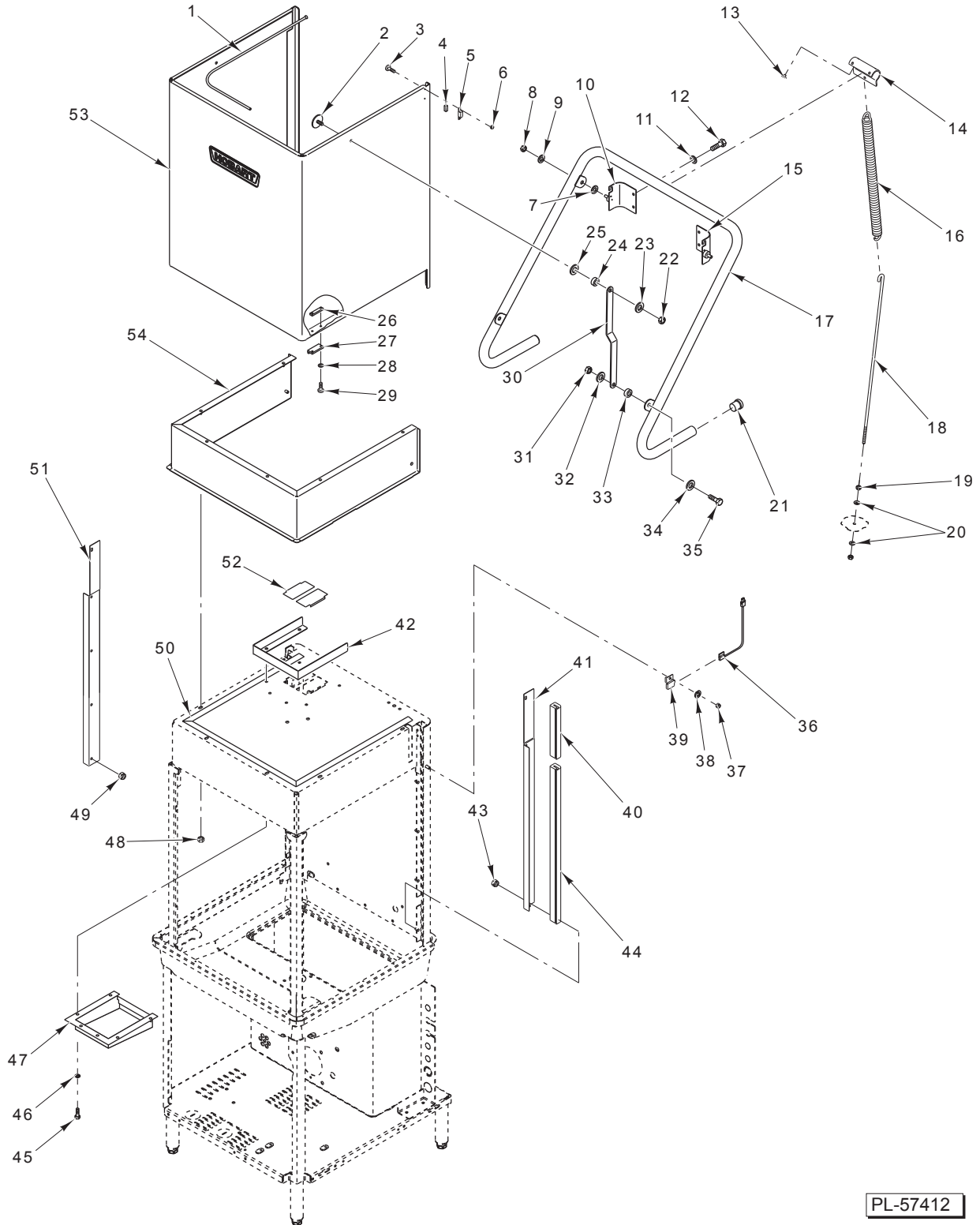
ILLUS. PL-57409	PART NO.	NAME OF PART	AMT.
1	00-893045	Strainer Pan.....	1
2	NS-047-82	Stop Nut 1/4-20 Hex (SST).....	1
3	00-119116	Axle – Drain Lever.....	1
4	00-893091	Drain Lever Assy.....	1
5	00-893095	Drain – Lift.....	1
6	SC-066-06	Mach. Screw 10-24 x 1/2 Phil. Truss Hd.....	1
7	00-067500-00120	O-Ring.....	1
8	00-893071	Drain Tube Assy. (Incls. Items 9, 10, & 11).....	1
9	00-893072	Cover – Standpipe.....	1
10	WS-019-33	Washer.....	3
11	SD-038-84	Self-Tapping Screw 10-24 x 1/2 Phil. Truss Hd., Type F (SST).....	3
12	00-118999	Strainer Basket Assy.....	1



DOOR ASSEMBLY (AM15 & AM15VL)

DOOR ASSEMBLY (AM15 & AM15VL)

ILLUS. PL-57413	PART NO.	NAME OF PART	AMT.
1	WS-017-01	Washer.....	2
2	00-893014-00002	Spacer – Door Link (Lower).....	2
3	WS-017-01	Washer.....	2
4	NS-036-19	Stop Nut ⁵ / ₁₆ -18 Hex.....	2
5	00-893252	Link – Door Handle.....	2
6	SC-041-12	Cap Screw ⁵ / ₁₆ -18 x ⁷ / ₈ Hex Hd.	2
7	WS-017-01	Washer.....	2
8	00-893014-00001	Spacer – Door Link (Upper).....	2
9	00-893051	Handle – Weldment.....	1
10	WS-017-01	Washer.....	2
11	NS-036-19	Stop Nut ⁵ / ₁₆ -18 Hex.....	2
12	00-119055	Button – Bearing.....	4
13	00-893011	Hanger – Counterbalance (Spring).....	1
14	00-893012	Spring – Extension (Door).....	1
15	00-893013	Hook – Spring.....	1
16	NS-015-11	Nut ⁵ / ₁₆ -18 Hex.....	3
17	WS-017-01	Washer.....	2
18	NS-036-19	Stop Nut ⁵ / ₁₆ -18 Hex.....	4
19	00-119055	Button – Bearing.....	4
20	00-893224	Support – Handle.....	2
21	SC-066-01	Mach. Screw 6-32 x ¹ / ₄ Phil Truss Hd.	2
22	00-111941	Magnet.....	1
23	NS-031-50	Stop Nut 6-32 Hex.....	2
24	00-893111	Magnet – Mount.....	1
25	00-893826	Door Guide Mount.....	2
26	00-893801	Spacer – Door Guide.....	2
27	WS-023-01	Washer.....	4
28	SC-066-02	Mach. Screw 6-32 x ³ / ₈ Phil. Truss Hd.	4
29	SC-041-09	Cap Screw ⁵ / ₁₆ -18 x ¹ / ₂ Hex Hd.	4
30	00-918458-00001	Guide – Door.....	2
31	00-893201-00002	Cover – Door Guide (RH).....	1
32	NS-047-82	Stop Nut ¹ / ₄ -20 Hex.....	4
33	00-473109-00004	Switch Assy. – Door.....	1
34	NS-015-11	Nut ⁵ / ₁₆ -18 Hex.....	1
35	WL-006-23	Lockwasher ⁵ / ₁₆ Helical.....	1
36	00-893853	Bracket – Reed Switch Mounting.....	1
37	SC-041-11	Cap Screw ⁵ / ₁₆ -18 x ³ / ₄ Hex Hd.	6
38	WL-006-23	Lockwasher ⁵ / ₁₆ Helical.....	6
39	00-893015	Stop – Door.....	3
40	00-893201	Cover – Door Guide (LH).....	1
41	00-893226	Stiffener – Door Plate.....	2
42	00-893202	Door Wrap.....	1
43	00-893196	Chamber – Weldment (Upper) (Standard Height).....	1

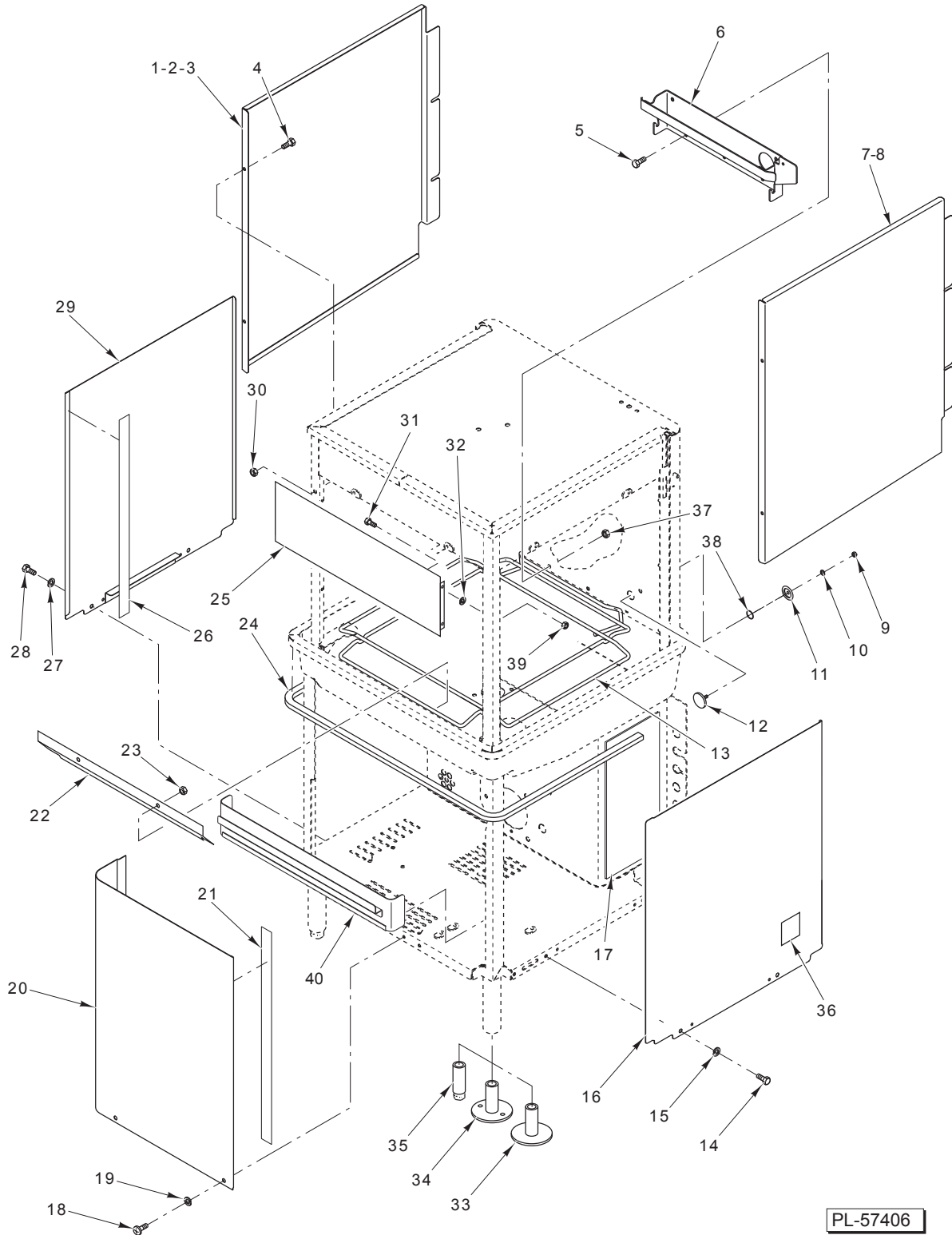


PL-57412

DOOR ASSEMBLY (AM15T, AM15F, AM15VLT, & AM15VLF)

DOOR ASSEMBLY (AM15T, AM15F, AM15VLT, & AM15VLF)

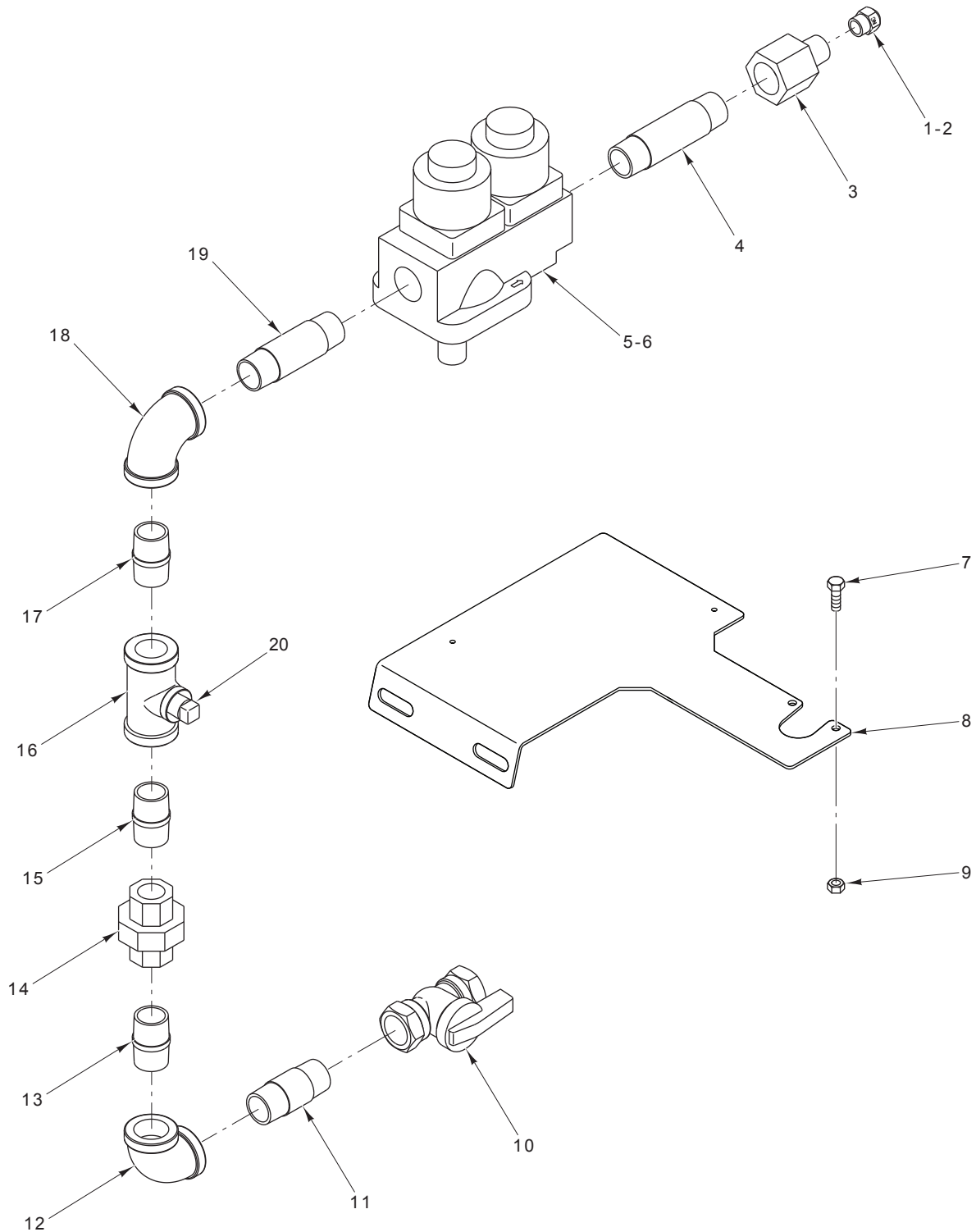
ILLUS.	PART NO.	NAME OF PART	AMT.
	PL-57412		
1	00-893834	Seal – Top Cover (Tall).....	1
2	00-893226	Stiffener – Door Plate.....	2
3	SC-066-01	Mach. Screw 6-32 x 1/4 Phil. Truss Hd.	4
4	00-111941	Magnet.....	1
5	00-893111	Magnet – Mount.....	1
6	NS-031-50	Stop Nut 5/16-18 Hex.....	2
7	WS-017-01	Washer.....	2
8	NS-036-19	Stop Nut 5/16-18 Hex.....	2
9	WS-017-01	Washer.....	2
10	00-893486-00002	Bracket – Handle (LH).....	1
11	WL-006-23	Lockwasher 5/16 Helical.....	4
12	SC-041-09	Cap Screw 5/16-18 x 1/2 Hex Hd.	4
13	00-119055	Button – Bearing.....	4
14	00-893500	Hanger – Counterbalance (Spring).....	1
15	00-893486-00001	Bracket – Handle (RH).....	1
16	00-893498	Spring – Extension (Door).....	1
17	00-893484	Handle – Weldment.....	1
18	00-893013-00002	Hook – Spring.....	1
19	NS-015-11	Nut 5/16-18 Hex.....	3
20	WS-017-01	Washer.....	2
21	00-918049	Plug – Lift Arm.....	2
22	NS-036-19	Stop Nut 5/16-18 Hex.....	2
23	WS-017-01	Washer.....	2
24	00-893014-00001	Spacer Door Link (Upper).....	2
25	WS-017-01	Washer.....	2
26	00-893826	Door Guide Mount.....	2
27	00-893801	Spacer – Door Guide.....	2
28	WS-023-01	Washer.....	4
29	SC-066-02	Mach. Screw 6-32 x 3/8 Phil. Truss Hd.	4
30	00-893487	Link – Door Handle.....	2
31	NS-036-19	Stop Nut 5/16-18 Hex.....	2
32	WS-017-01	Washer.....	2
33	00-893014-00003	Spacer – Door Link.....	2
34	WS-017-01	Washer.....	2
35	SC-041-12	Cap Screw 5/16-18 x 7/8 Hex Hd.	2
36	00-473109-00004	Switch Assy. – Door.....	1
37	NS-015-11	Nut 5/16-18 Hex.....	1
38	WL-006-23	Lockwasher 5/16 Helical.....	1
39	00-893853	Bracket – Reed Switch Mounting.....	1
40	00-918458-00003	Guide – Door.....	2
41	00-893314-00002	Cover – Door Guide (RH).....	1
42	00-893946	Vent – Deflector (AM15T & AM15F).....	1
43	NS-047-82	Stop Nut 1/4-20 Hex.....	5
44	00-918458-00002	Guide – Door.....	2
45	SC-041-09	Cap Screw 5/16-18 x 1/2 Hex Hd.	6
46	WL-006-23	Lockwasher 5/16 Helical.....	6
47	00-918166	Vent Assy. – Inside Deflector (AM15T & AM15F).....	1
48	NS-047-82	Stop Nut 1/4-20 Hex.....	6
49	NS-047-82	Stop Nut 1/4-20 Hex.....	5
50	00-526408	Tape – Foam.....	AR
51	00-893314	Cover – Door Guide (LH).....	1
52	00-893956	Cap – Vent (AM15T & AM15F).....	2
53	00-893326	Door Wrap.....	1
54	00-893320	Cover Assy. – Top Chamber.....	1



PANELS AND RACK SUPPORT

PANELS AND RACK SUPPORT

ILLUS.	PART NO.	NAME OF PART	AMT.
PL-57406			
1	00-893843	Kit – Splash Panel (AM15).....	1
2	00-893119-2	Kit – Splash Panel (AM15T & AM15F).....	1
3	00-936235	Panel – Splash (LH) (AM15VL, AM15VLT, & AM15VLF).....	1
4	SC-059-29	Cap Screw $\frac{1}{4}$ -20 x $\frac{1}{2}$ Hex Socket Hd.....	2
5	SC-041-10	Cap Screw $\frac{5}{16}$ -18 x $\frac{1}{2}$ Hex Hd.	5
6	00-893798	Rack – Stop Assy.....	1
7	00-936234	Panel – Splash (RH) (AM15VL, AM15VLT, & AM15VLF).....	1
8	00-893096	Panel – Splash (AM15T & AM15F).....	1
9	NS-015-01	Nut $\frac{1}{4}$ -20 Hex.....	1
10	WL-006-17	Lockwasher $\frac{1}{4}$ Helical.....	1
11	00-119254-00002	Retainer – Cap.....	1
12	00-119244	Cap & Stud Assy.....	1
13	00-893790-00001	Wireform Assy.....	1
14	SC-041-50	Cap Screw $\frac{1}{4}$ -20 x $\frac{1}{2}$ Hex Hd.....	2
15	WL-006-17	Lockwasher $\frac{1}{4}$ Helical.....	2
16	00-893042	Panel – Cover (Right Side).....	1
17	00-918097	Kit – Foam Installation.....	AR
18	SC-125-15	Mach. Screw $\frac{1}{4}$ -20 x $\frac{1}{2}$ Phil. Truss Hd.....	2
19	WL-006-17	Lockwasher $\frac{1}{4}$ Helical.....	2
20	00-893041	Panel – Cover (Front).....	1
21	00-526454	Tape – Foam.....	AR
22	00-893069	Baffle – Steam.....	1
23	NS-036-19	Stop Nut $\frac{5}{16}$ -18 Hex.....	2
24	00-893021	Seal – Extrusion.....	AR
25	00-893775	Deflector.....	1
26	00-526454	Tape – Foam.....	AR
27	WL-006-17	Lockwasher $\frac{1}{4}$ Helical.....	2
28	SC-041-50	Cap Screw $\frac{1}{4}$ -20 x $\frac{1}{2}$ Hex Hd.....	2
29	00-893018	Panel – Cover (Left Side).....	1
30	NS-047-82	Stop Nut $\frac{1}{4}$ -20 Hex.....	2
31	SC-059-29	Cap Screw $\frac{1}{4}$ -20 x $\frac{1}{2}$ Hex Socket Hd.....	4
32	WS-017-06	Washer.....	4
33	00-893122-00002	Foot – Flanged (Without Holes).....	4
34	00-893122-00001	Foot – Flanged (With Holes).....	4
35	00-893122-00003	Foot – Standard.....	4
36	00-438131-061-2	Label – Warning (California).....	1
37	NS-036-19	Stop Nut $\frac{5}{16}$ -18 Hex.....	5
38	00-067500-00031	O-Ring.....	1
39	NS-047-82	Stop Nut $\frac{1}{4}$ -20 Hex.....	4
40	00-936710	Shield – Splash.....	1

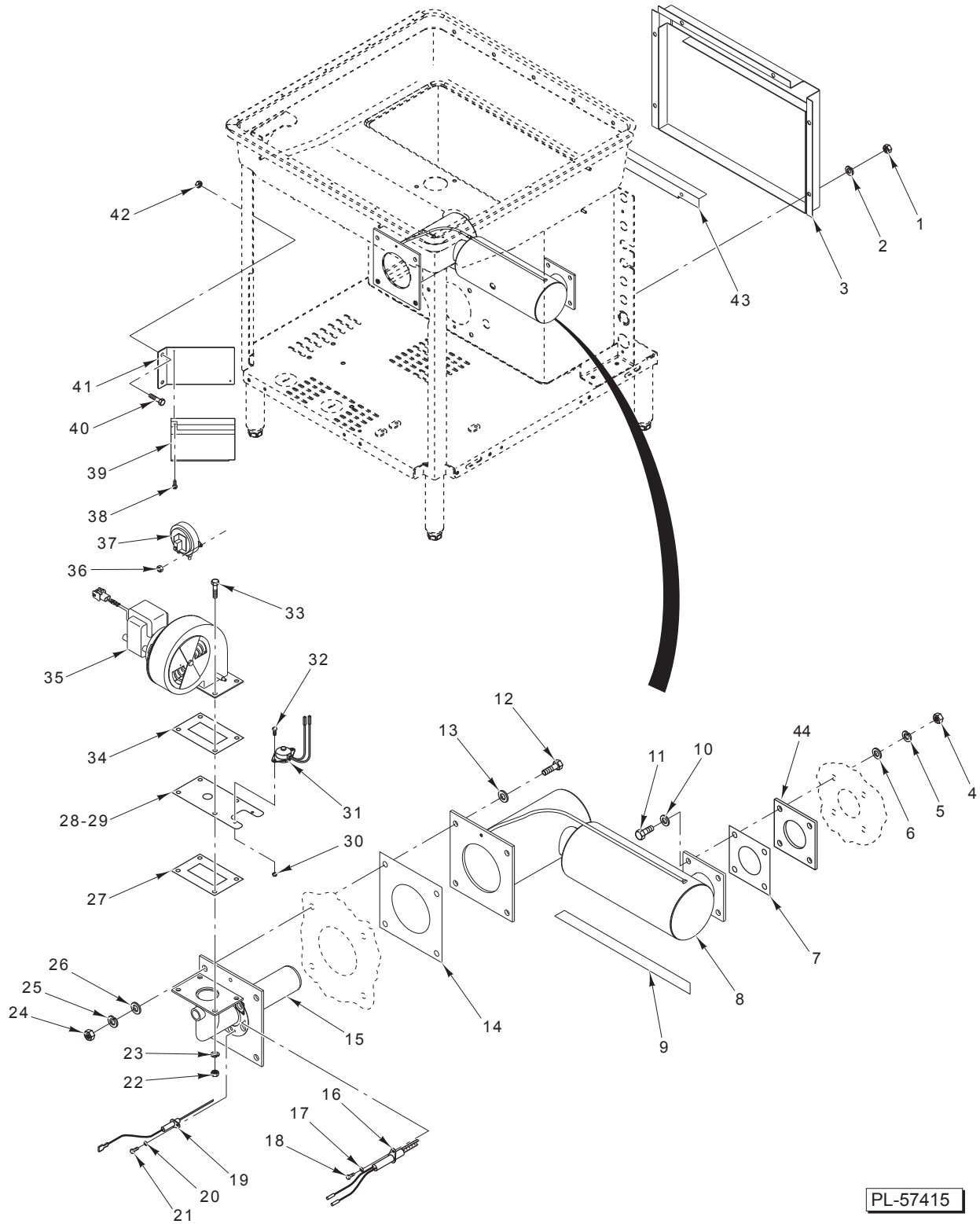


PL-57411

GAS HEAT PIPING

GAS HEAT PIPING

ILLUS.	PART NO.	NAME OF PART	AMT.
PL-57411			
1	00-893149-00001	Orifice (NAT)	1
2	00-893149-00002	Orifice (LP).....	1
3	00-893132	Adapter $1/2$ to $7/16$ -20	1
4	FP-059-10	Pipe $1/2$ x 3 TBE.....	1
5	00-328426-00004	Valve – Regulator (NAT)	1
6	00-328426-00005	Valve – Regulator (LP).....	1
7	SC-041-10	Cap Screw $5/16$ -18 x $5/8$ Hex Hd.	3
8	00-893895	Bracket – Ignitor Board	1
9	NS-015-11	Nut $5/16$ -18 Hex	3
10	00-291988-00003	Valve – Gas (Shut Off).....	1
11	FP-067-04	Pipe $1/2$ x $17/8$ TBE	1
12	FP-013-15	Elbow Pipe $1/2$ x 90 Deg.	1
13	FP-067-04	Pipe $1/2$ x $17/8$ TBE	1
14	FP-022-11	Union – Pipe	1
15	FP-067-04	Pipe $1/2$ x $17/8$ TBE	1
16	FP-084-31	Tee Pipe $1/2$ x $1/2$ x $1/4$	1
17	FP-035-94	Pipe $1/2$ x $11/2$ TBE.....	1
18	FP-013-15	Elbow Pipe $1/2$ x 90 Deg.	1
19	FP-036-97	Pipe $1/2$ x $23/4$ TBE	1
20	FP-028-06	Plug – Pipe ($1/4$ In.) Square Hd.....	1
	00-893896-00001	Gas Piping Assy. (NAT) (Incls. Items 1, 3, 4, 5, & 10 thru 20)	1
	00-893896-00002	Gas Piping Assy. (LP) (Incls. Items 2, 3, 4, 6, & 10 thru 20).....	1

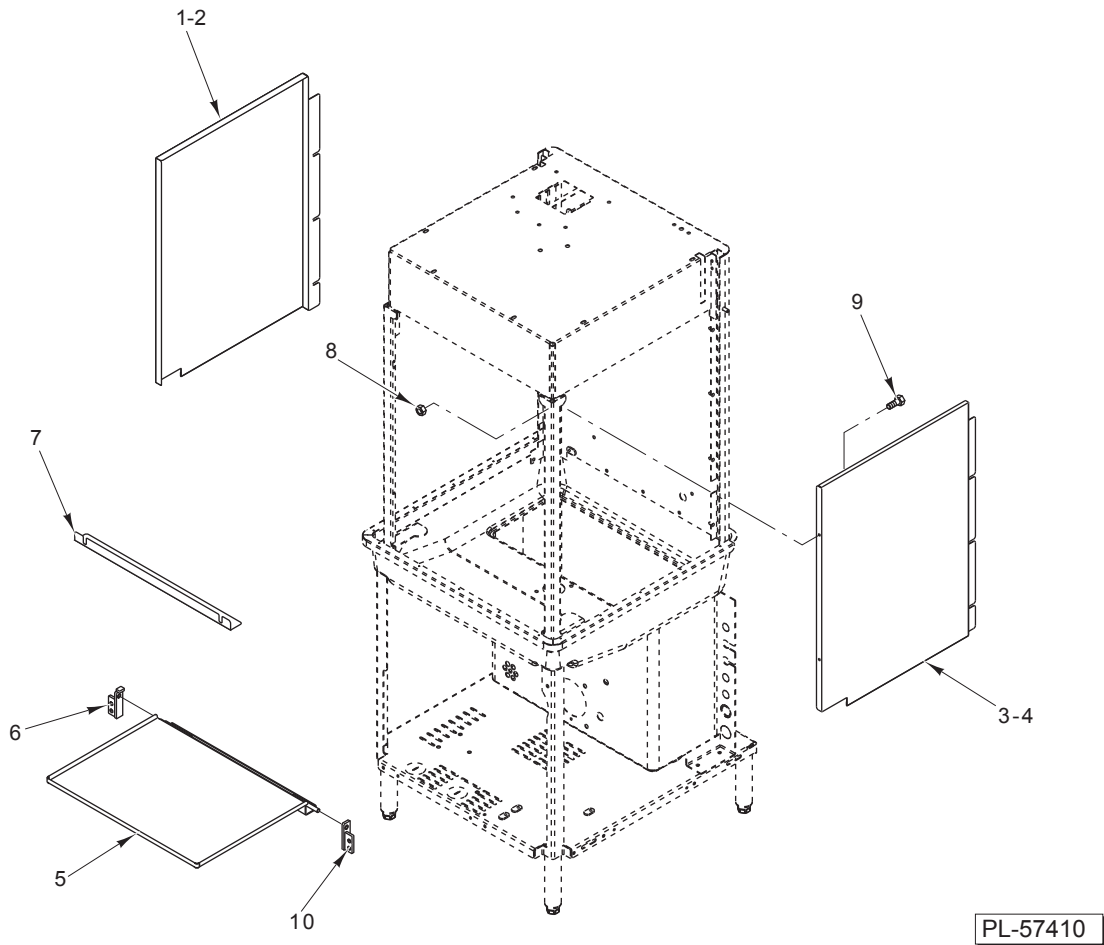


PL-57415

GAS HEAT COMPONENTS

GAS HEAT COMPONENTS

ILLUS. PL-57415	PART NO.	NAME OF PART	AMT.
1	NS-031-21	Stop Nut 1/4-20 Hex.....	6
2	WL-014-10	Lockwasher 1/4 External.....	6
3	00-893890	Shroud – Exhaust.....	1
4	00-893039-00012	Nut 3/8-16 Hex (SST).....	4
5	WL-006-28	Lockwasher 3/8 Helical.....	4
6	WS-028-22	Washer.....	4
7	00-893892	Gasket – Immersion Tube.....	1
8	00-893879	Tube – Immersion.....	1
9	00-893900	Turbulator – Immersion Tube.....	1
10	WS-028-22	Washer.....	4
11	SC-041-31	Cap Screw 3/8-16 x 1 1/4 Hex Hd.....	4
12	SC-041-31	Cap Screw 3/8-16 x 1 1/4 Hex Hd.....	4
13	WS-028-22	Washer.....	4
14	00-893891	Gasket – Immersion tube.....	1
15	00-893897	Burner – Infrared.....	1
16	00-748571-00002	Ignitor (With Terminals).....	1
17	WL-006-02	Lockwasher #8 Helical.....	1
18	SC-021-13	Mach. Screw 8-32 x 1/4 Slotted Rd. Hd.....	1
19	00-748572	Electrode Assy.....	1
20	WL-006-02	Lockwasher #8 Helical.....	1
21	SC-021-13	Mach. Screw 8-32 x 1/4 Slotted Rd. Hd.....	1
22	NS-031-21	Stop Nut 1/4-20 Hex.....	4
23	WL-014-10	Lockwasher 1/4 External.....	4
24	00-893039-00012	Nut 3/8-16 Hex (SST).....	4
25	WL-006-28	Lockwasher 3/8 Helical.....	4
26	WS-028-22	Washer.....	4
27	00-918034	Seal – Blower/Burner.....	1
28	00-893893-00001	Plate – Reducer (NAT).....	1
29	00-893893-00002	Plate – Reducer (LP).....	1
30	NS-031-50	Stop Nut 6-32 Hex.....	2
31	00-271123	Protector – High Limit.....	1
32	SC-021-08	Mach. Screw 6-32 x 3/8 Slotted Rd. Hd.....	2
33	SC-041-05	Cap Screw 1/4-20 x 5/8 Hex Hd.....	4
34	00-918034	Seal – Blower/Burner.....	1
35	00-893898	Blower – Gas.....	1
36	NS-031-21	Stop Nut 1/4-20 Hex.....	2
37	00-918116-00001	Switch – Air.....	1
38	SD-038-02	Self-Tapping Screw 6-20 x 5/8 Phil. Pan Hd., Type B.....	2
39	00-748512	Board – Ignitor (24 VAC).....	1
40	SC-041-10	Cap Screw 5/16-18 x 5/8 Hex Hd.....	2
41	00-893895	Bracket – Ignitor Board.....	1
42	NS-015-11	Nut 5/16-18 Hex.....	2
43	00-893887	Baffle – Exhaust.....	3
44	00-918178	Flange – Exhaust Mounting.....	1



FRONT TRAY (AM15F & AM15VLF)

ILLUS. PL-57410	PART NO.	NAME OF PART	AMT.
1	00-936235	Panel – Splash (RH) (AM15VLF).....	1
2	00-893096	Panel – Splash (AM15F).....	1
3	00-936234	Panel – Splash (LH) (AM15VLF).....	1
4	00-893096	Panel – Splash (AM15F).....	1
5	00-893815	Tray Weldment.....	1
6	00-893816	Hinge Assy. (LH).....	1
7	00-893983	Baffle – Steam.....	1
8	NS-047-82	Stop Nut 1/4-20 Hex.....	8
9	SC-059-29	Cap Screw 1/4-20 x 1/2 Hex Socket Hd.....	4
10	00-893817	Hinge Assy. (RH).....	1